

Service Data

Vickers®

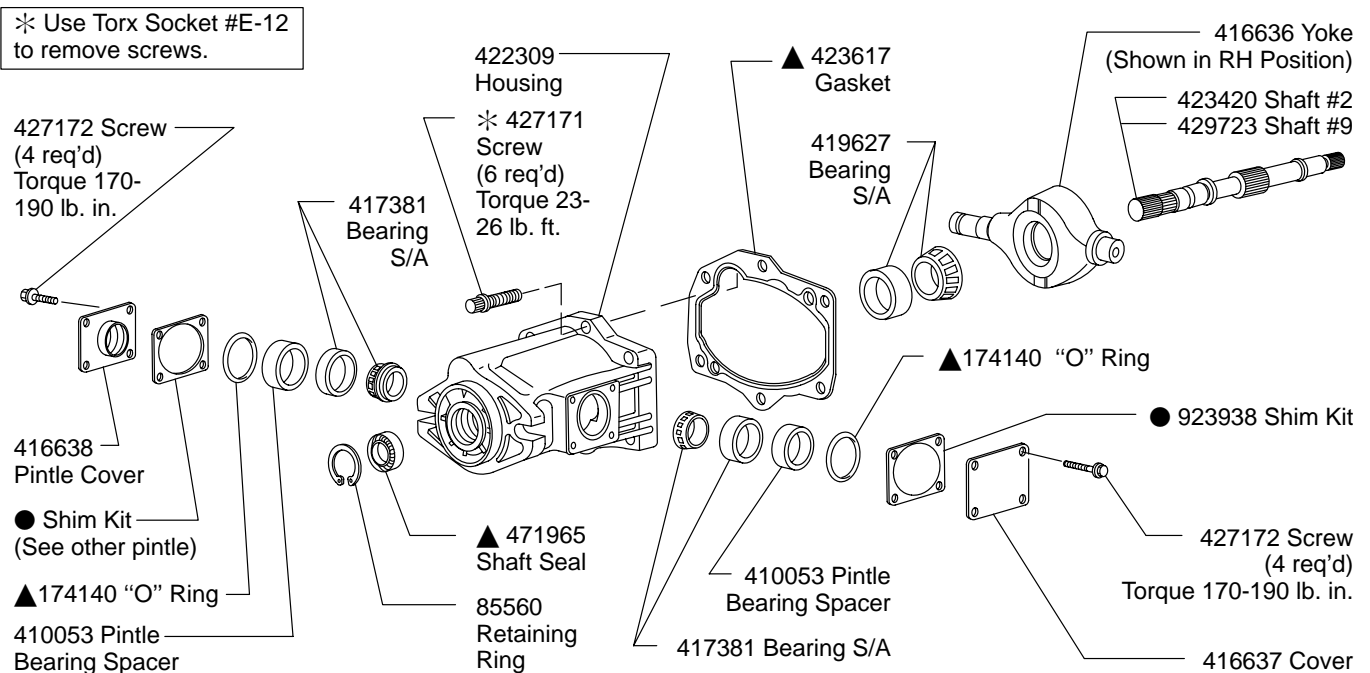
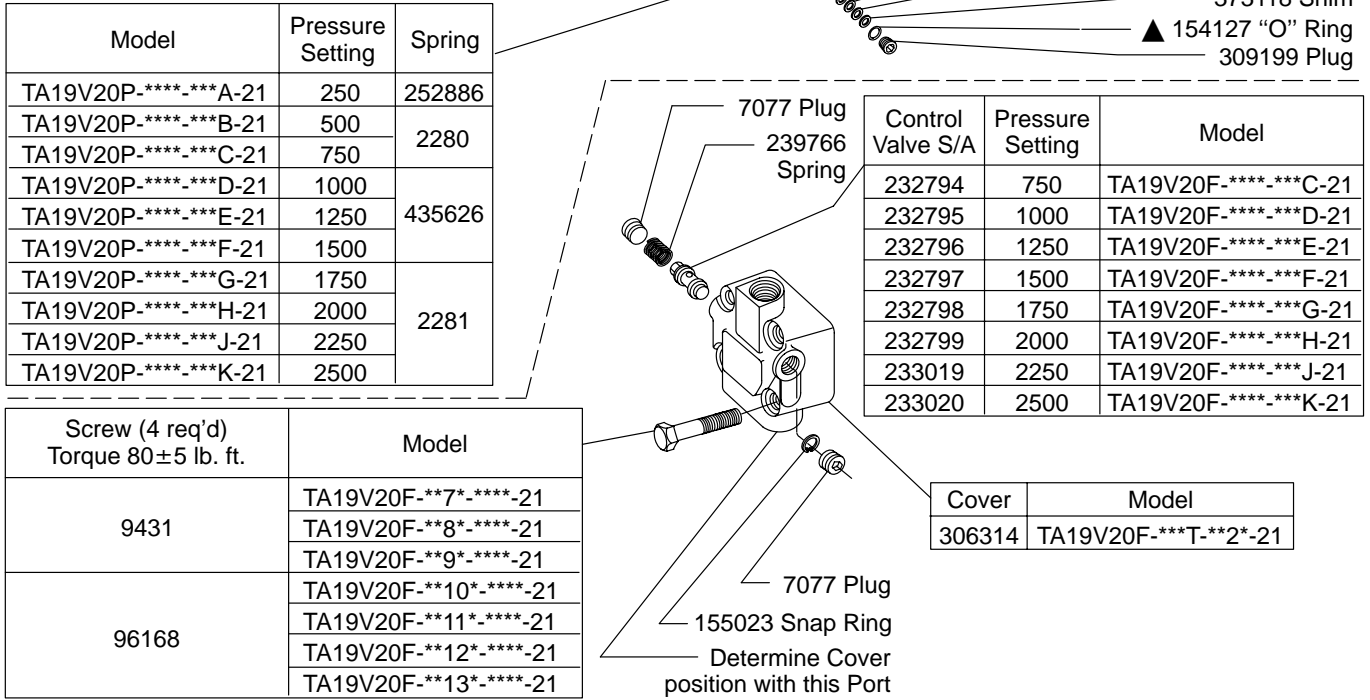
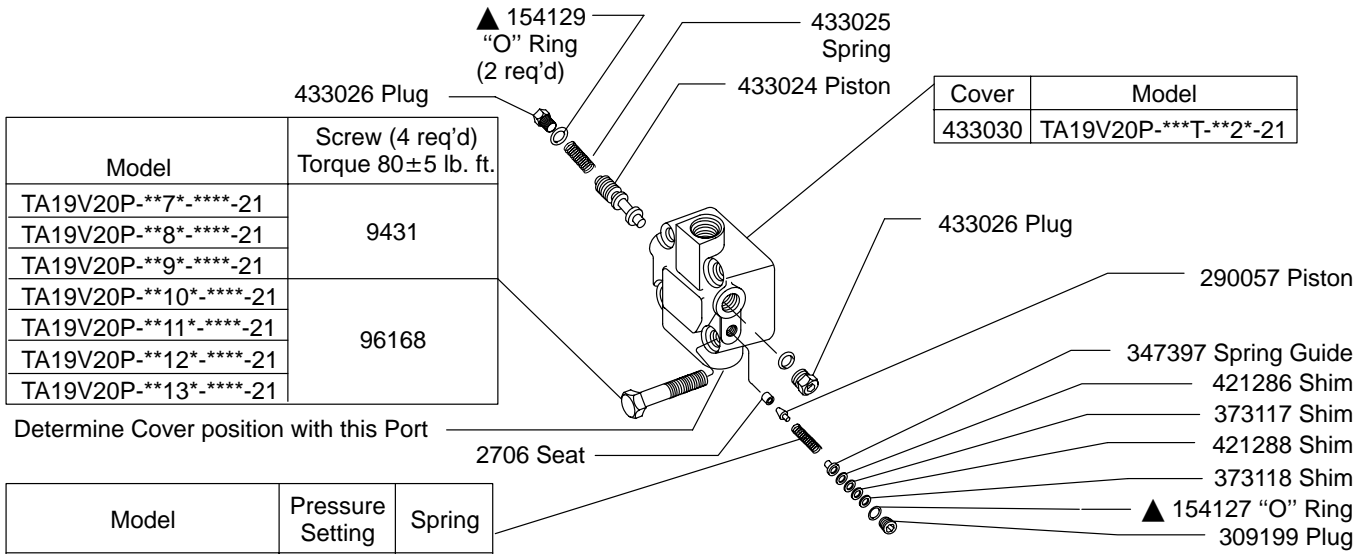
Transmissions

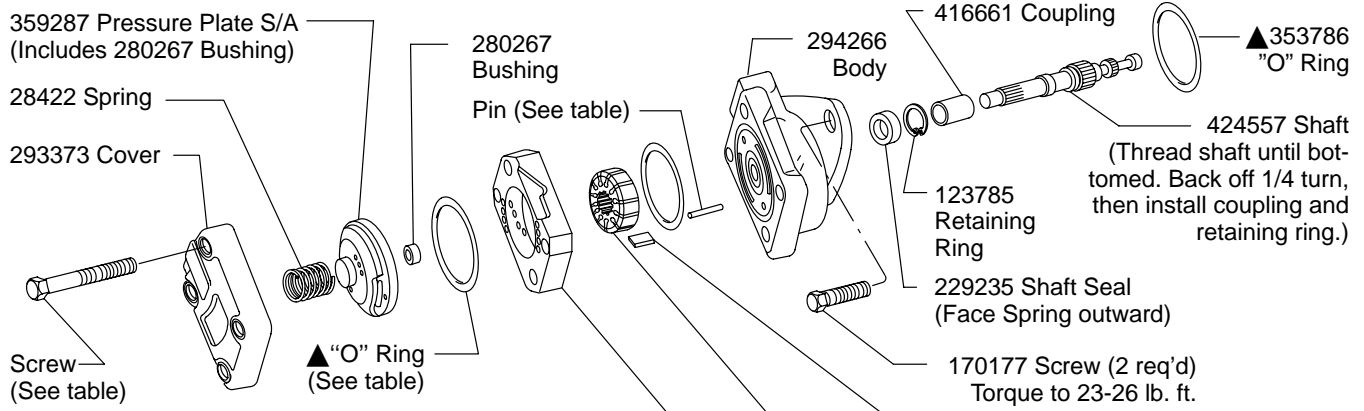


Single Transmission Pump with Single Vane Pump

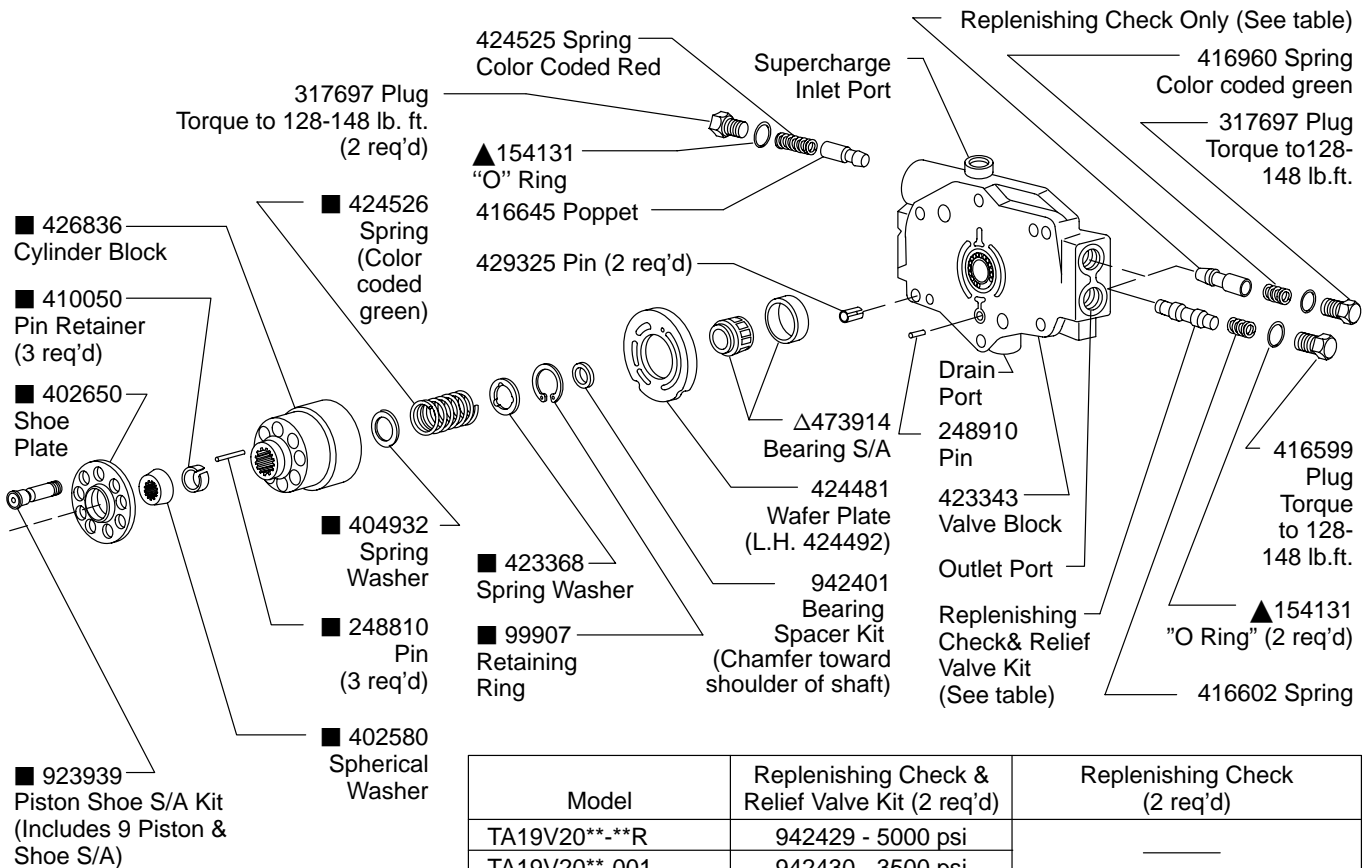
TA19V20*-21







Model	Screw (4 req'd) Torque to 80±5 lb. ft.	Ring	Rotor	Vane Kit (12 Vanes)	▲ "O" Ring (2 req'd)	Cartridge Kit	Pin (2 Req'd)
TA19V20*-** 7*-****-21	131486	328152	358330	923493	154090	923481	2478
TA19V20*-** 8*-****-21		331791				923483	
TA19V20*-** 9*-****-21		331789				923484	
TA19V20*-** 10*-****-21		374309	923478	923620		16662	
TA19V20*-** 11*-****-21		328156		923482			
TA19V20*-** 12*-****-21	1319	331806	358334	923479	923486	9603	
TA19V20*-** 13*-****-21		331807			923487		



Model	Replenishing Check & Relief Valve Kit (2 req'd)	Replenishing Check (2 req'd)
TA19V20**-**R	942429 - 5000 psi	—
TA19V20**-001	942430 - 3500 psi	—
TA19V20**-**0	NONE	416645
TA19V20**-014	942428 - 3000 psi	—
TA19V20**-016	942427 - 4000 psi	—
TA19V20**-53	941189 - 4500 psi	—

▲ Included in 920155 Seal Kit

■ Included in 923936 Rotating Group

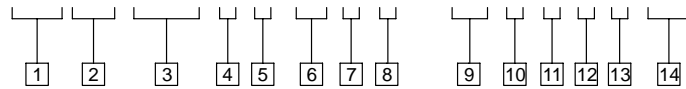


CAUTION

Replenishing check/reliefs and replenishing check valves are used in any combination in this equipment. The combinations are determined by the application. DO NOT interchange valve positions or a major malfunction of the equipment may result.

Model Code

TA 19 V20 * * -2 * * - * * * * * * 21



1 Transmission Pump

2 Flow Rating
@ 1800 rpm

19 – 19 USgpm

3 Auxiliary Vane Pump

4 Vane Pump Cover

F - Flow control
P - Priority flow
Omit - Standard cover

5 Rotation
(Viewed from shaft end)

R - Right Hand (CW)
L - Left Hand (CCW)

6 Input Shaft

2 - SAE B-B splined

7 Control Pintle
(Location viewed from shaft end
w/drain port up)

A - Right hand
B - Left hand

8 Main Relief Valve

R - Relief valve
O - No relief valve

9 Ring Capacity
@ 1200 rpm

07 - 7 USgpm 11 - 11 USgpm
08 - 8 USgpm 12 - 12 USgpm
09 - 9 USgpm 13 - 13 USgpm
10 - 10 USgpm

10 Vane Pump Inlet Position
(Viewed from cover end)

A - 45° CCW from case drain
C - 135° CW from case drain

11 Outlet Port Positions
(Viewed from cover end)

A - Opposite inlet
B - 90° CCW from inlet
C - Inline with inlet
D - 90° CW from inlet

12 Flow Rate

Orifice in "F" cover:
2, 4, 6, 8, 10 USgpm
Orifice in "P" cover:
1, 2, 2.5, 3, 4, 5, 6, 7, 8 USgpm

13 Vane Pump Relief Valve Setting
("F" & "P" cover)

* A - 250 psi F - 1500 psi
* B - 500 psi G - 1750 psi
* C - 750 psi H - 2000 psi
* D - 1000 psi J - 2250 psi
* E - 1250 psi K - 2250 psi
* "P" Cover only

14 Design

For satisfactory service life of these components in industrial applications, use full flow filtration to provide fluid which meets ISO cleanliness code 18/16/13 or cleaner. Selections from Eaton OFF, OFR, and OFRS series are recommended.