

Service Data

Vickers®

Vane Motors



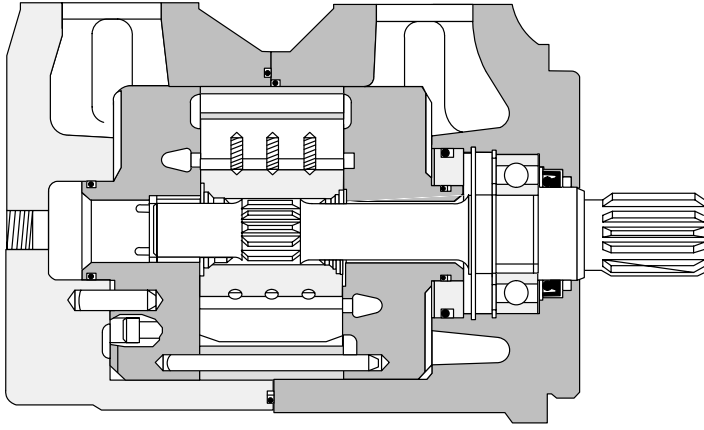
Vane Motors

**35M & 36M Series
-20 Design**

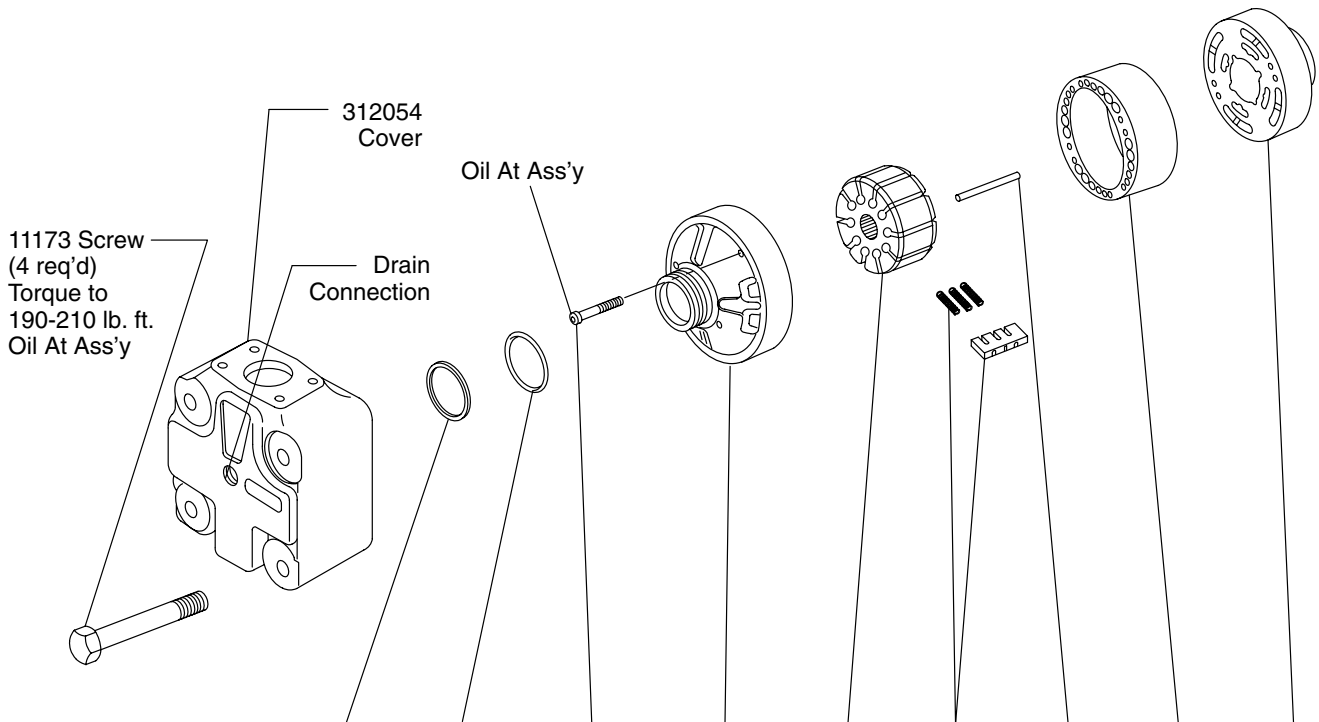


Revised 09/01/85

M-2742-S



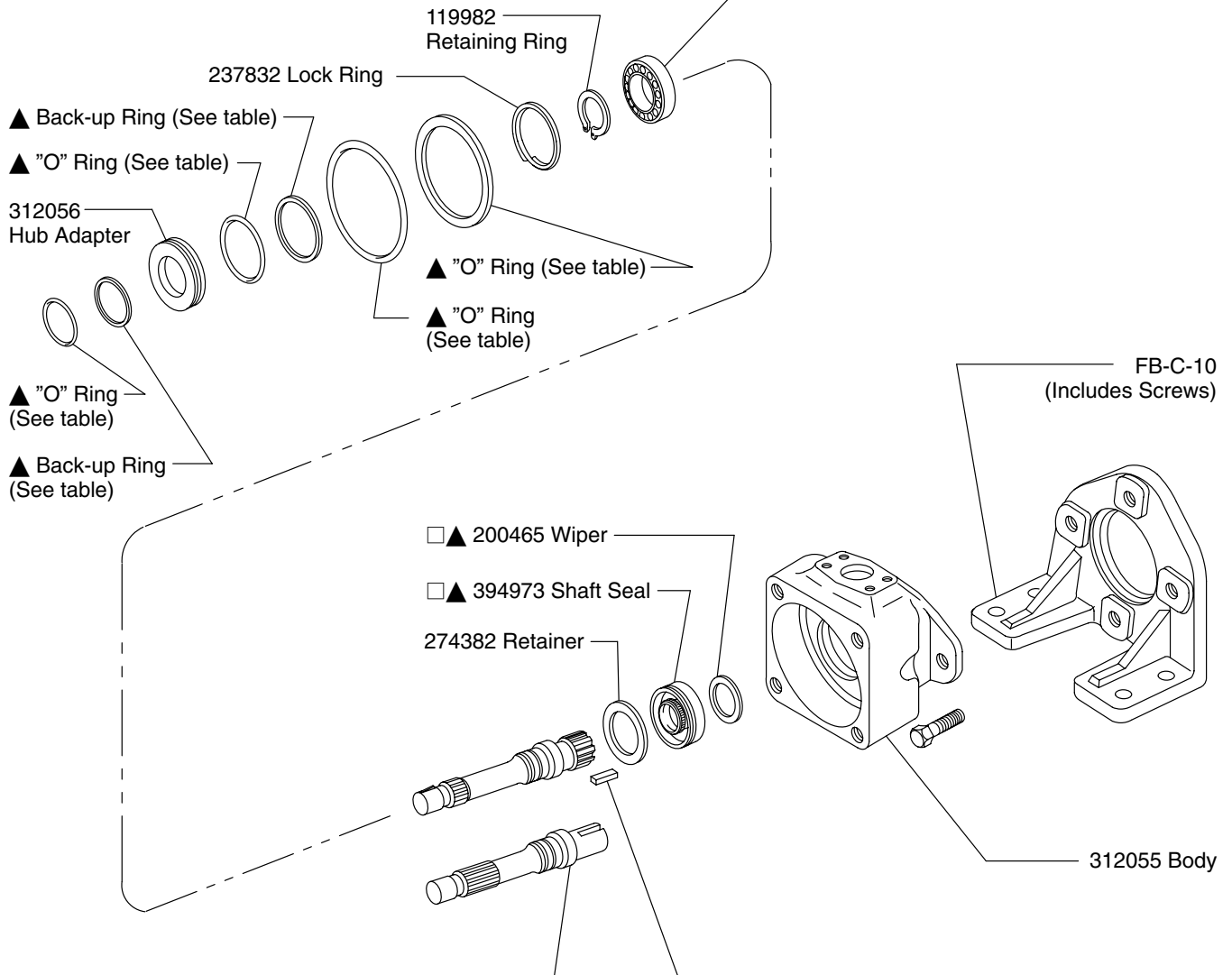
Note
 Saturate the felt wiper with oil before assembly. Also, apply a small amount of grease to inner circumference of seal before installation of shaft. Assemble seal with lip toward bearing.



Model Designation	Cartridge Kit	Back-up Ring	"O" Ring	Screw (2req'd) Torque to 8-12 lb. ft.	Pressure Plate S/A (Including Bushing and Pins)	Rotor	Vane Kit 10 Vanes 30 Springs	Pin (2 req'd)	Ring	Pressure Plate
3*M80*-**20	923165								310870	
3*M95*-**20	923166	▲ 271735	▲ 199814	255837	310877	310874	923164	216603	310868	309430
3*M115*-**20	923167								310871	

▲ These parts are services in Cartridge Kit

Model Designation	Bearing
35M**-**20	14654
36M**-**20	16058



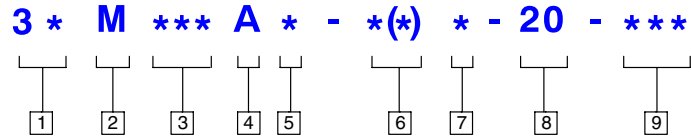
Model Designation	Shaft	Key
3*M**-1*20	310872	217596
3*M**-11*20	310873	—

Model Designation	Cartridge Kit	"O" Ring	Back-up Ring	"O" Ring	Back-up Ring	"O" Ring	"O" Ring
3*M80**-**20	923165						
3*M95**-**20	923166	▲199814	▲271735	▲154083	▲271794	▲312092	▲276617
3*M115**-**20	923167						

These parts are services in Cartridge Kit

▲ Included in 923163 Seal Kit

Model Code



1 Model Series

- 35** - Standard bearing
- 36** - Heavy duty bearing

2 Vane Motor

M

3 Ring Capacity Torque

Rating (lb. in. per 100 PSI)

- 80** - 80 lb. in.
- 95** - 95 lb. in.
- 115** - 115 lb. in.

4 Port Connections

A - 4 bolt flange

5 Bracket Mounting

(Viewed from shaft end)

- 2** - Body port @ 12 o'clock
- 3** - Body port @ 3 o'clock
- 6** - Body port @ 6 o'clock
- 9** - Body port @ 9 o'clock

6 Shaft Type

- 1** - Straight keyed
- 11** - Splined

7 Port Locations

(Viewed from cover end)

- A** - Cover port opposite body port
- B** - Cover port 90° CCW from body port
- C** - Cover port in line with body port
- D** - Cover port 90° CW from body port

8 Design Number

20

9 Special Feature

For satisfactory service life of these components in industrial applications, use full flow filtration to provide fluid which meets ISO cleanliness code 20/18/15 or cleaner. Selections from Eaton OFF, OFR, and OFRS series are recommended.