

Piston Pumps

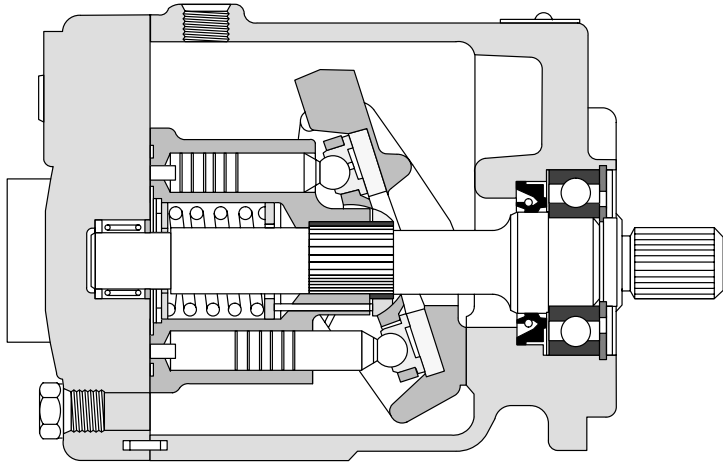


Variable Inline Piston Pumps

M-PVB10-UDW-21-M-10

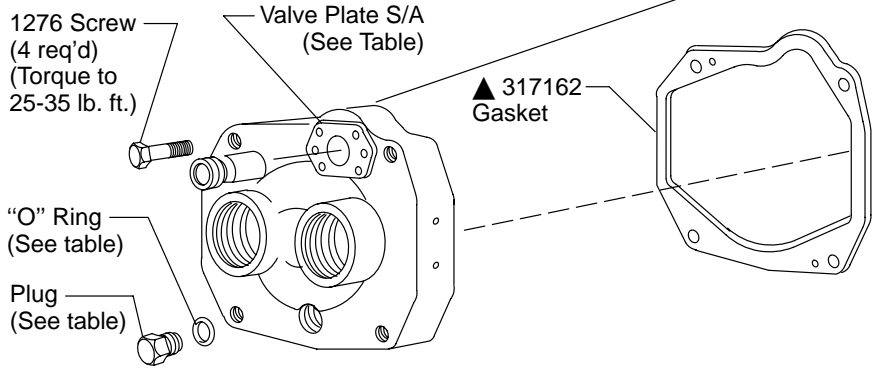
M-PVB-10-USY-21-M-10

M-PVB15-UDG-21-M-10

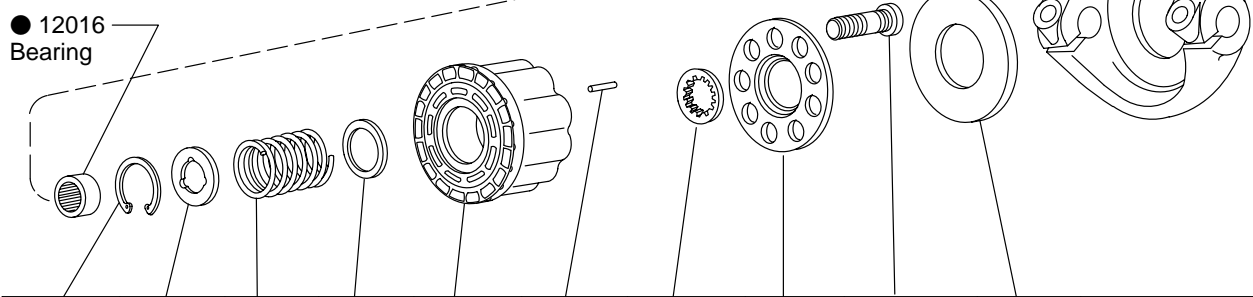
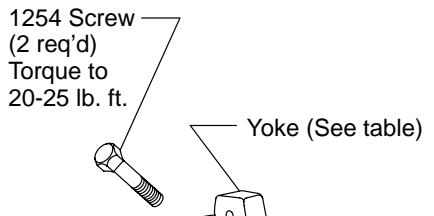


● Included in Valve Plate Sub Assembly

● Valve Plate	Valve Plate Sub Assembly	Model
298470	—	M-PVB10-UDW-21-M-10
269845	938384	M-PVB10-USY-21-M-10
294891	—	M-PVB15-UDS-21-M-10



Plug	"O" Ring	Yoke	Model
186580	154129	269842	M-PVB*-UDW-21-M-10
181728	154128	287848	M-PVB*-USY-21-M-10
		269842	M-PVB*-UDS-21-M-10

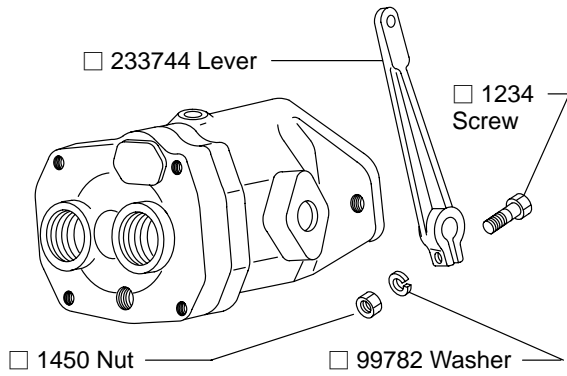


Retaining Ring	Lift Limiter	Spring	Thrust Washer	Cylinder Block	Pins (3 req'd)	Spherical Washer	Shoe Plate	Piston Kit (9 Pistons)	Swash Plate	Model
These parts are serviced in Rotating Group Kit Δ										
93509	245223	247294	241954	321703 260860	248811	423324	275961	942047 941887	239077	M-PVB10-***-21-**-10 M-PVB15-***-21-**-10

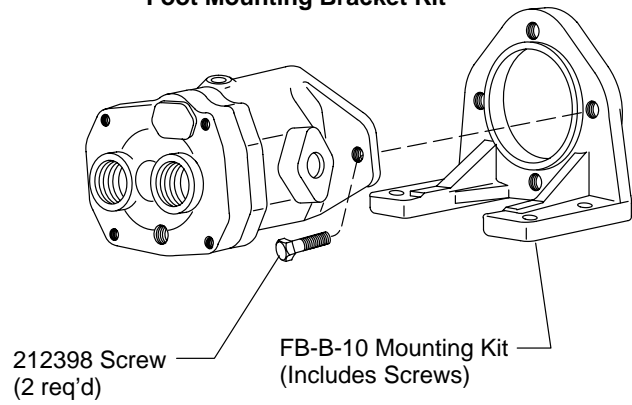
ΔRotating Group Kit	Model
938272	M-PVB10-***-21-**-*0
938270	M-PVB15-***-21-**-*0

▲ Included in 919192 Seal Kit

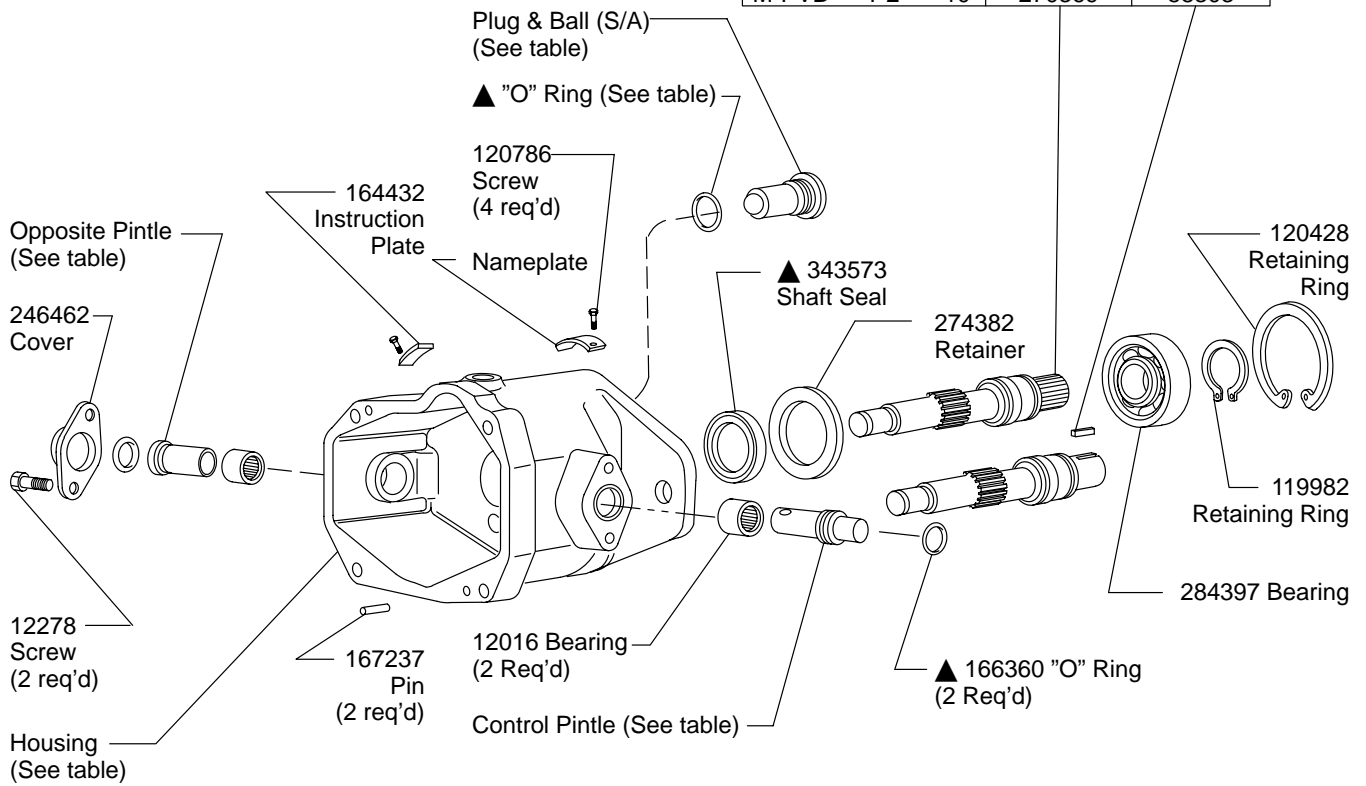
☐ Included in 941360 Lever Kit



Foot Mounting Bracket Kit



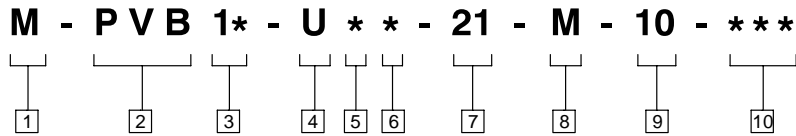
Model	Shaft	Key
M-PVB*-*-W-2*-*-10	261478	22971
M-PVB*-*-G-2*-*-10	292077	—
M-PVB*-*-Y-2*-*-10	270369	58303



Model	Control Type	Opposite Pintle	Control Pintle
M-PVB*-*-21-M-10	Lever	265425	269658

Model	Plug & Ball S/A	"O" Ring	Housing
M-PVB*-UDW-21-M-10	—	—	274386
M-PVB*-USY-21-M-10	287838	▲ 154131	287847
M-PVB*-UDS-21-M-10	—	—	274386

Model Code



1 Mobile Application

2 Model Series

PVB - Pump, variable displacement, inline piston unit

3 Flow Rating

@1800 RPM

10 - 10 USgpm

15 - 15 USgpm

4 Rotation Viewing Shaft End

U - Either direction

5 Swash Plate Movement

D - Both sides of center

S - Single side of center

6 Shaft Type

G - Spline

W - 1/4" sq. key -1. 875"

Y - 1/4" sq. key -0. 875"

7 Pump Design Number

8 Lever Control

9 Control Design

10 Special Features

For satisfactory service life of these components in industrial applications, use full flow filtration to provide fluid which meets ISO cleanliness code 18/15 or cleaner. Selections from Eaton OFF, OFR, and OFRS series are recommended.