

Service Data

Vickers®

Piston Pumps



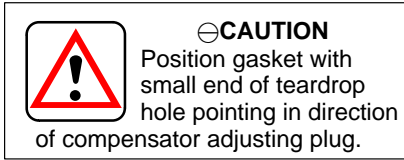
Variable Inline Piston Pumps

M-PVB29-11

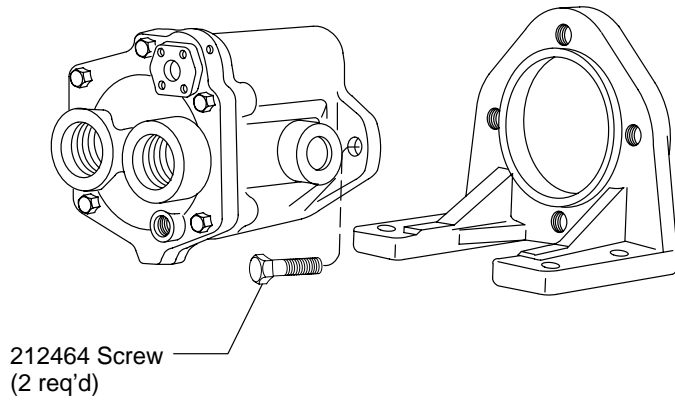


Revised 07/01/97

M-2215-S

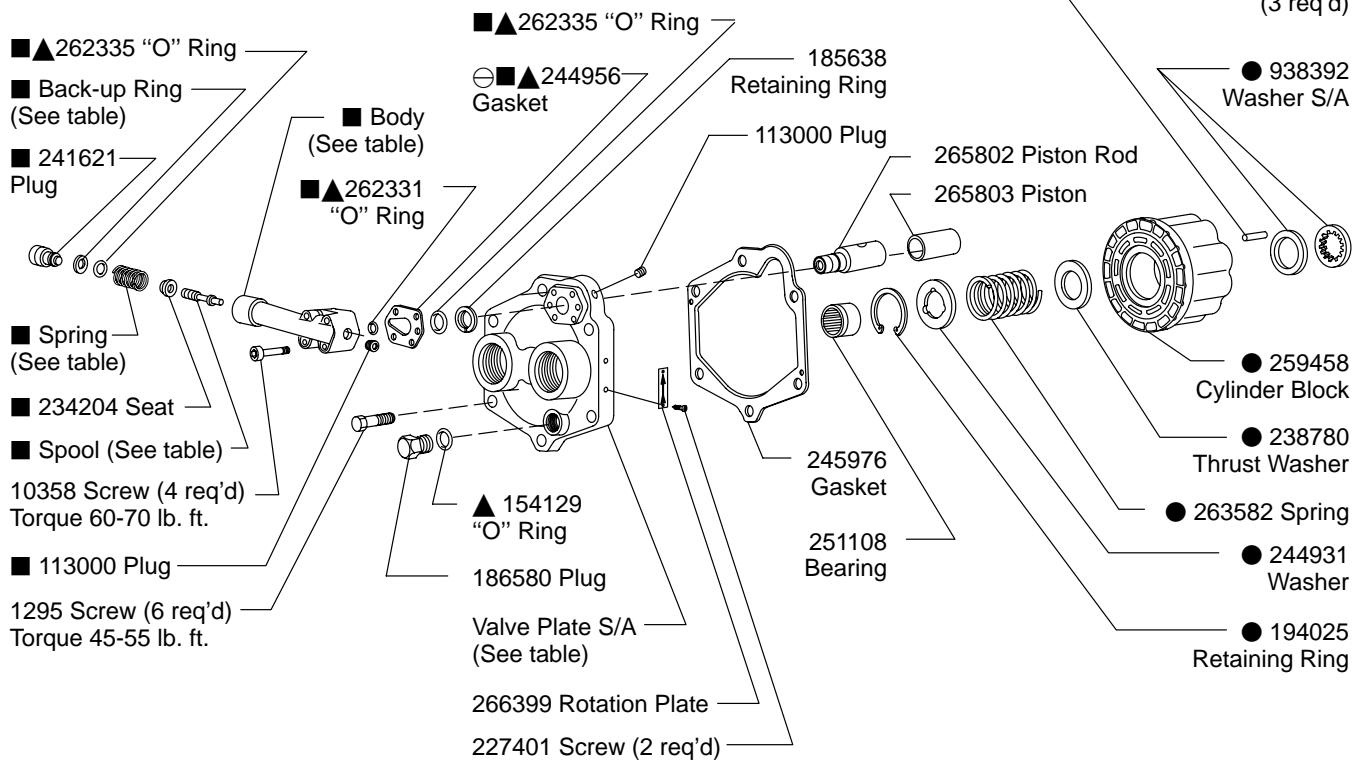


**Foot Mounting Kit
FB-C-10 (Includes screws)**



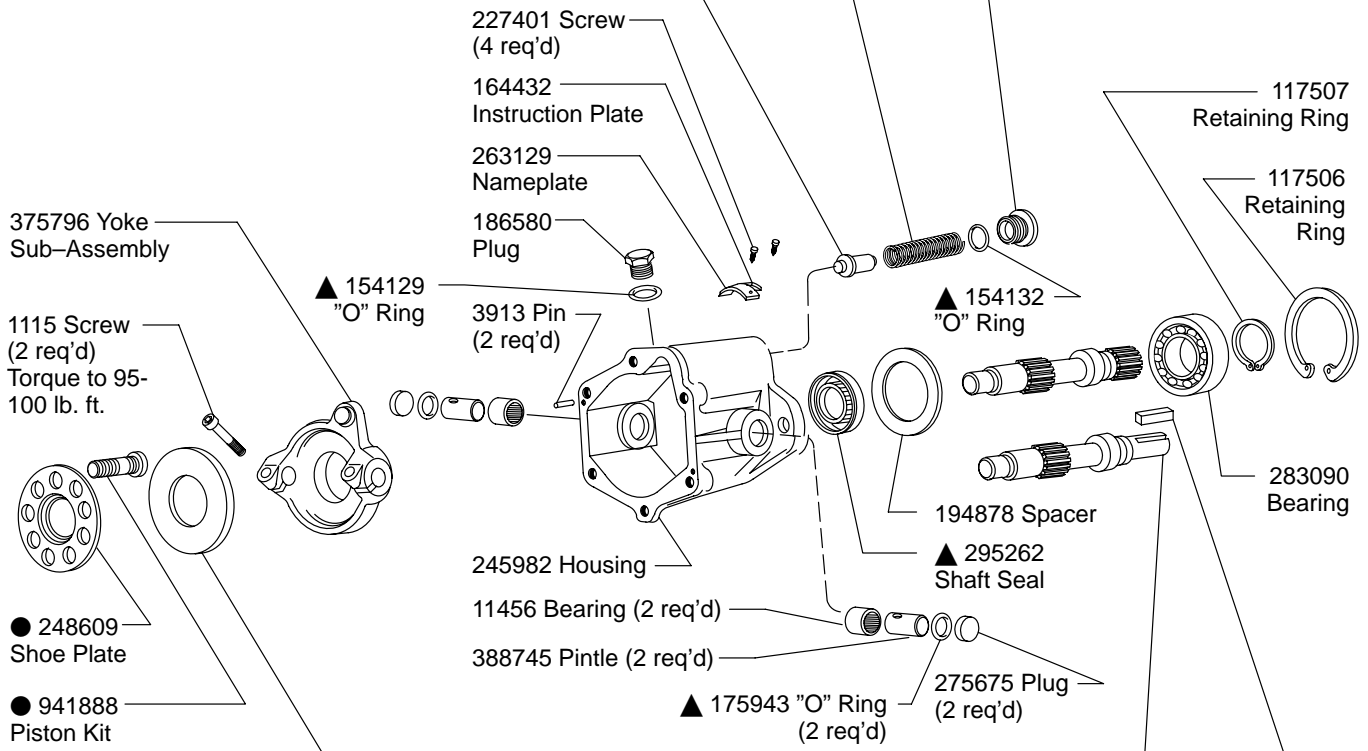
Control Type	Body	Spool	Back-up Ring	Plug	Wire	Seal	Spring	Comp. Kit
C	241568	241717	—	241621	—	—	239371	941700
CR		285624						923990
CG	412890	296234	287144	412940	17077	17079	417649	942480
CV		278711						942441

■ Included in Compensator Kit



Valve Plate Sub Assy. Includes 251108 Bearing	Model Designation
938404	M-PVB29-R**-11-C-10
938405	M-PVB29-L**-11-C-10

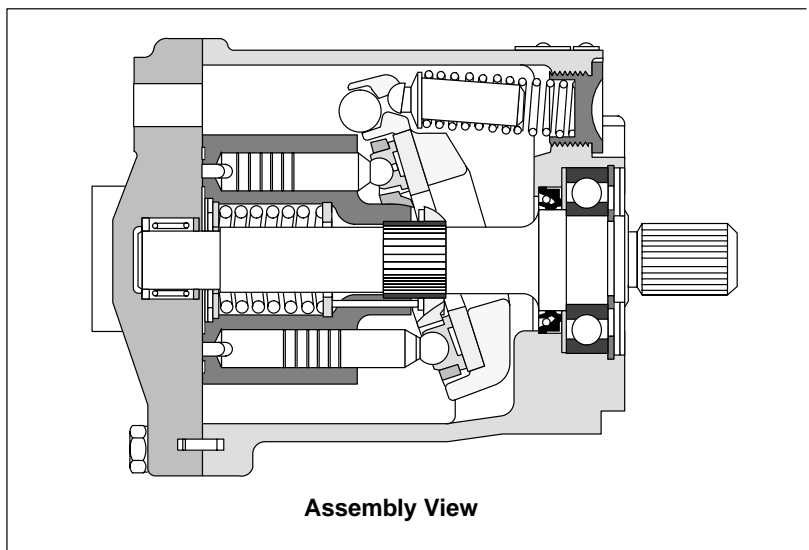
Seat	Spring	Plug	Model Description
245975	436335	245973	M-PVB29-***-11-C-10
			M-PVB29-***-11-CG-10
306370	306434	306369	M-PVB29-***-11-CR-10
245975	436335	245973	M-PVB29-***-11-CV-10



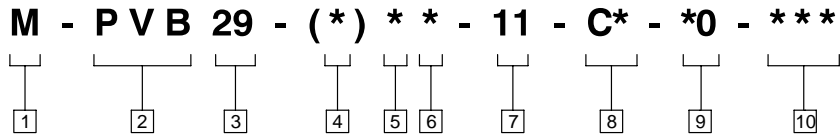
Model Designation	Shaft	Key
M-PVB*-**-11-*10	245979	246353
M-PVB*-**G-11-*10	282880	—

▲ Included in 923006 Seal Kit

● Included in 938290 Rotating Group Kit



Model Code



1 Mobile Application

2 Model Series

PVB - Pump, variable displacement, in-line piston unit

3 Flow Rating

@1800 RPM

29 - 29 USGPM

4 Mounting

F - Foot bracket
(Omit for flange)

5 Rotation

(Viewed from shaft end)

R - Right hand

L - Left hand

6 Shaft Type

G - Splined
(Omit for keyed shaft)

7 Pump Design Number

8 Control

C - Compensator control

CG - Remote adjustment

CR - Differential cutoff

CV - Load sensing

9 Control Design

C - 10

CG - 20

CR - 10

CV - 20

10 Special Features

For satisfactory service life of these components in industrial applications, use full flow filtration to provide fluid which meets ISO cleanliness code 18/15 or cleaner. Selections from Eaton OFP, OFR, and OFRS series are recommended.