

Service Data

Vickers®

Piston Pumps



Variable Inline Piston Pump

M-PVB20-10 Design

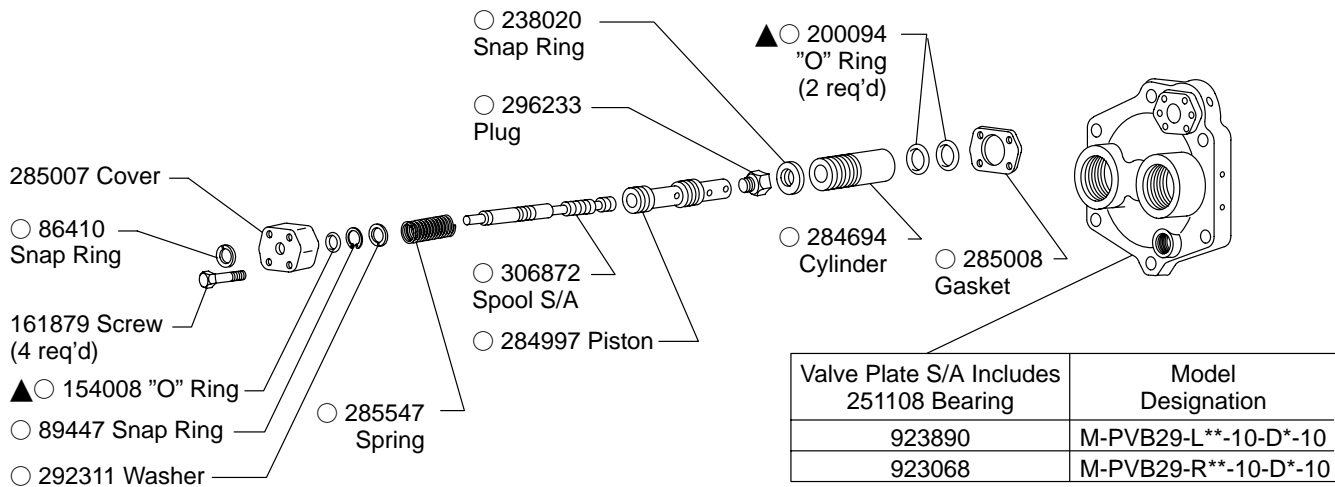
M-PVB29-10 Design





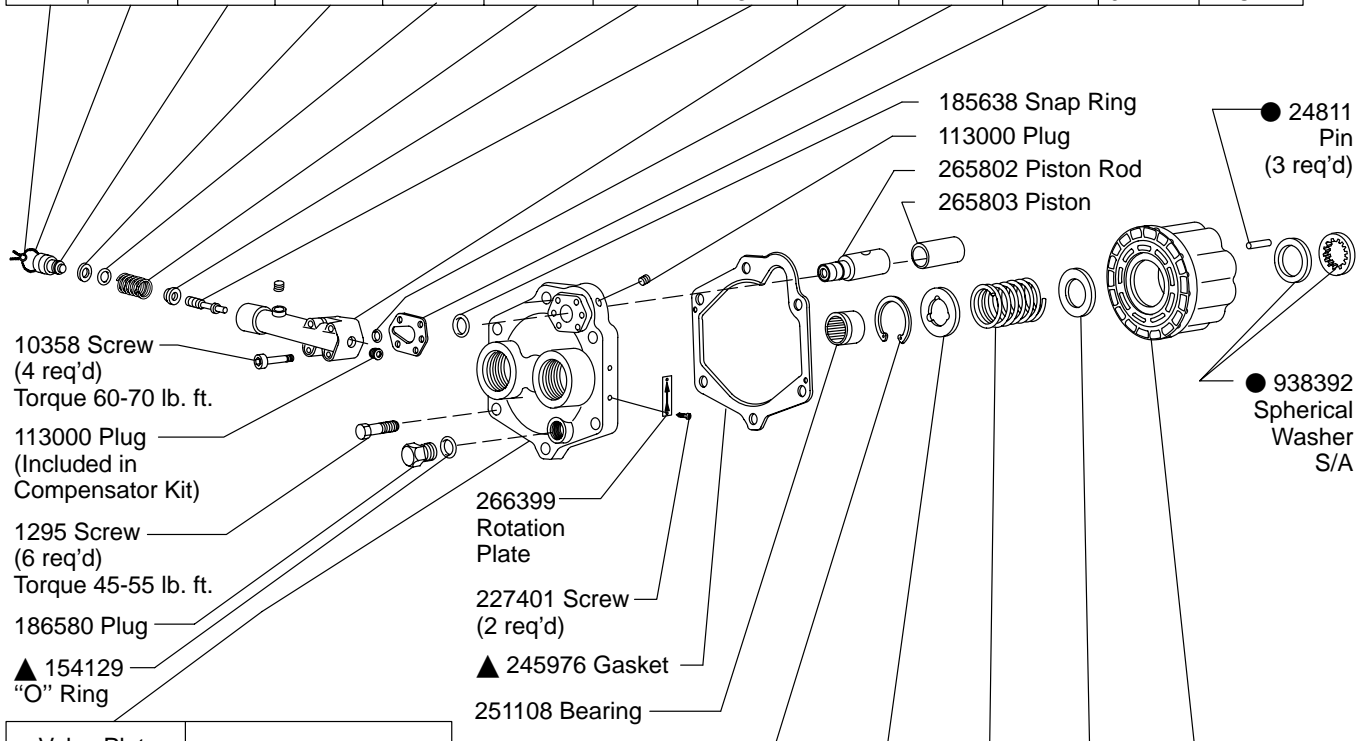
WARNING

Use this drawing for parts information only. See Overhaul Manual M-2200-S for maintenance information.



■ Included in Compensator Kit

Seal	Seal-Wire	Plug	Back-up ▲ Ring	▲ "O" Ring	Spring	Seat	Spool	Body	▲ "O" Ring	Gasket	Comp. Kit	Control Type
—	—	241621	—	262335	239379	234204	241717	241568	154005	244956	941700	C
							285624				923990	CR
17079	17077	412940	287144				296234	412890			942480	CG
							278711				942441	CV

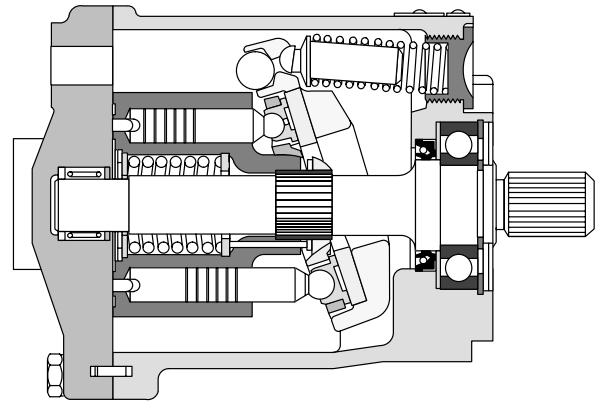
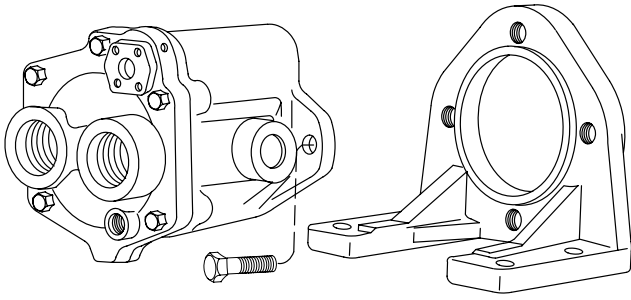


Valve Plate Sub Assy. Includes 251108 Bearing	Model Designation
938400	M-PVB20-R**-10-C-10
938401	M-PVB20-L**-10-C-10
938404	M-PVB29-R**-10-C-10
938405	M-PVB29-L**-10-C-10

Model Designation	Retaining Ring	Washer	Spring	Thrust Washer	Cylinder Block	● Rotating Group Kit
M-PVB20-***-10-*-10	194025	244931	246386	238780	250688	938280
M-PVB29-***-10-*-10			263582		259458	938290

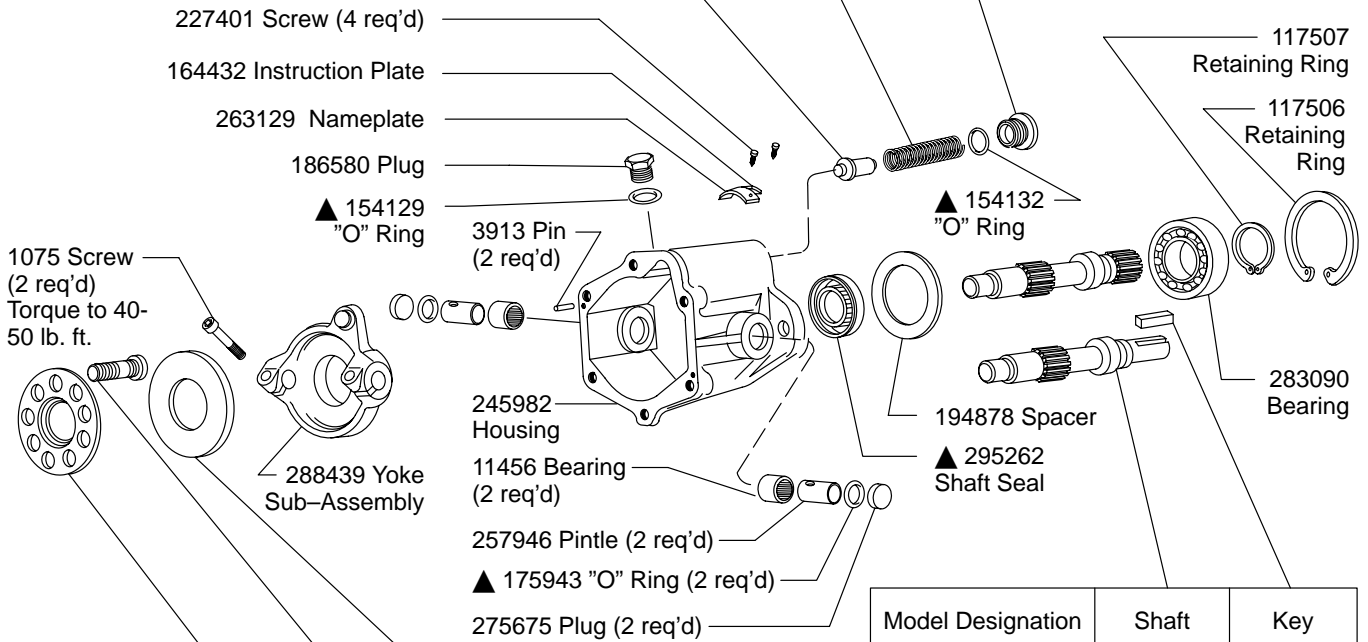
These parts are serviced in Rotating Group Kit ●

**Foot Mounting Kit
FB-C-10 (Includes screws)**



Assembly View

Seat	Spring	Plug	Model Description
245975	436335	245973	M-PVB2*-***-11-C/CG-*0
306370	306434	306369	M-PVB2*-***-11-CR-10
245975	436335	245973	M-PVB2*-***-11-CV/D-*0

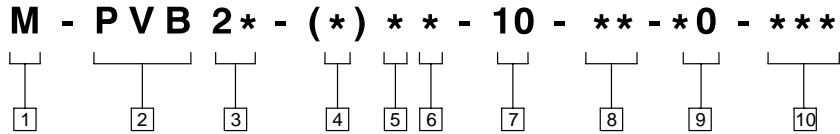


Model Designation	Shaft	Key
M-PVB*-**-10-*10	245979	246353
M-PVB*-**G-10-*10	282880	—

Model	Shoe Plate	Piston Kit (9 pistons)	Swash Plate
M-PFB-20-***-10-*10	248609	941883	239335
M-PFB-29-***-10-*10		941888	
These parts are services in Rotating Group Kit●			

▲ Included in 923006 Seal Kit

Model Code



1 Mobile Application

2 Model Series

PVB - Pump, variable displacement, in-line piston unit

3 Flow Rating

@1800 RPM

20 - 20 USgpm

29 - 29 USgpm

4 Mounting

F - Foot bracket
(Omit for flange)

5 Rotation

(Viewed from shaft end)

R - Right hand

L - Left hand

6 Shaft Type

G - Splined
(Omit for keyed shaft)

7 Pump Design Number

8 Control

C - Compensator control

CG - Remote adjustment

CR - Differential cutoff

CV - Load sensing

D - Stem servo

9 Control Design

C - 10

CG - 20

CR - 10

CV - 20

D - 10

10 Special Features

For satisfactory service life of these components in industrial applications, use full flow filtration to provide fluid which meets ISO cleanliness code 18/15 or cleaner. Selections from Eaton OFP, OFR, and OFRS series are recommended.