

Service Data

Vickers®

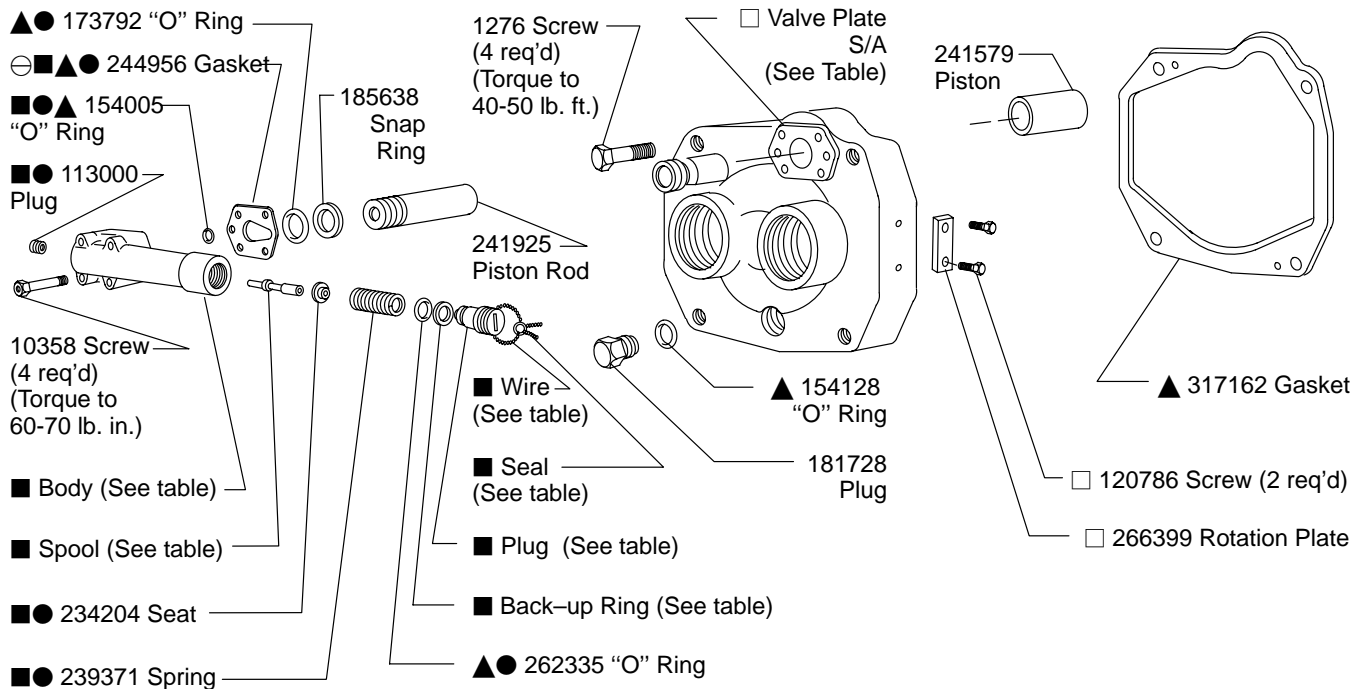
Piston Pumps



Variable Inline Piston Pumps

M-PVB10 & M-PVB15-21 Design Compensated Units





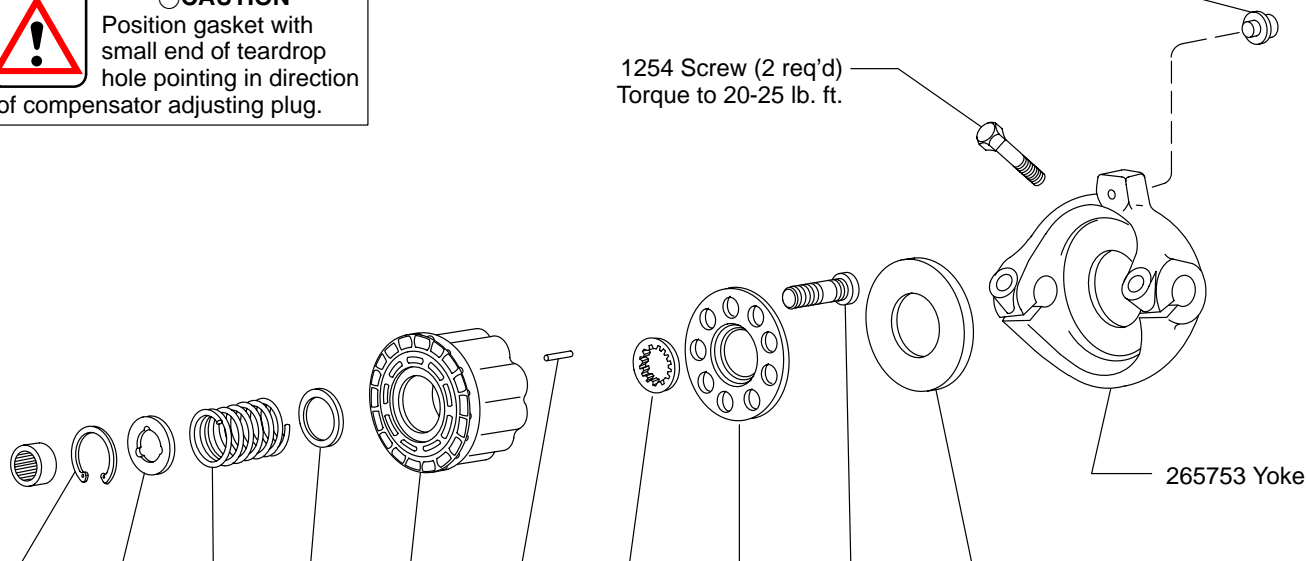
Control Type	Body	Spool	Back-up Ring	Plug	Wire	Seal	Spring	Comp. Kit
C	241568	241717	—	241621	—	—	239371	941700
CR		285624						923990
CG	412890	296234	287144	412940	17077	17079	417649	942480
CV		278711						942441

Included in Compensator Kit

Seat	Model
240535	M-PVB*-***-2*-C, CG, CV
281974	M-PVB*-***-2*-CR-10

CAUTION
Position gasket with small end of teardrop hole pointing in direction of compensator adjusting plug.

1254 Screw (2 req'd)
Torque to 20-25 lb. ft.



Retaining Ring	Lift Limiter	Spring	Thrust Washer	Cylinder Block	Pins (3 req'd)	Spherical Washer	Shoe Plate	Piston Kit (9 Pistons)	Swash Plate	Model
These parts are serviced in Rotating Group KitΔ										
93509	245223	247294	241954	321703	248811	423324	275961	941887	239077	M-PVB10-***-21-**-*0
				260860						M-PVB15-***-21-**-*0

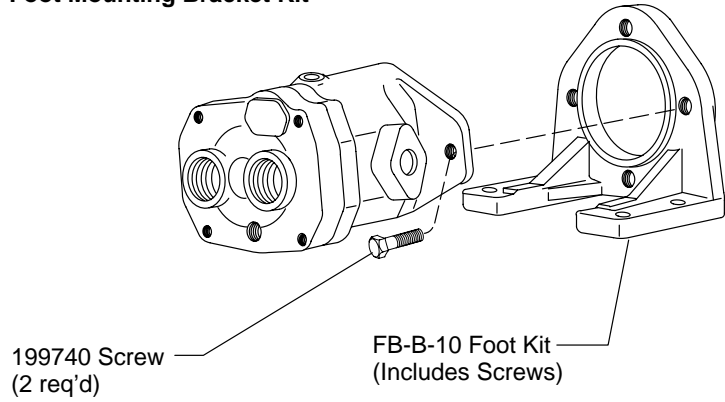
ΔRotating Group Kit	Model
938272	M-PVB10-***-21-**-*0
923062	M-PVB15-***-21-**-*0

Included in 919192 Seal Kit

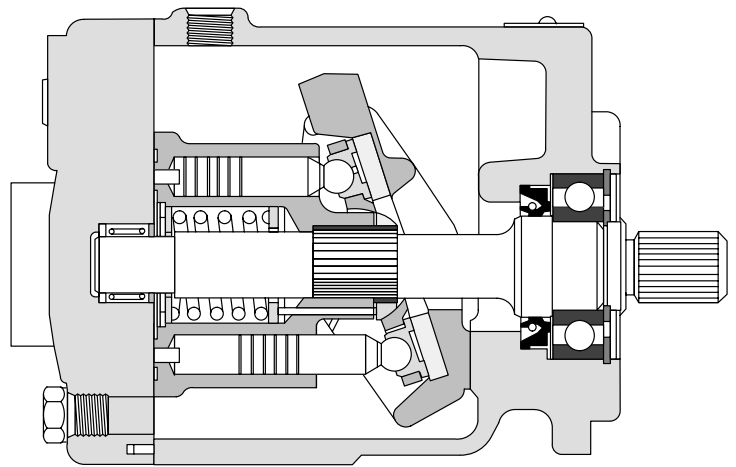
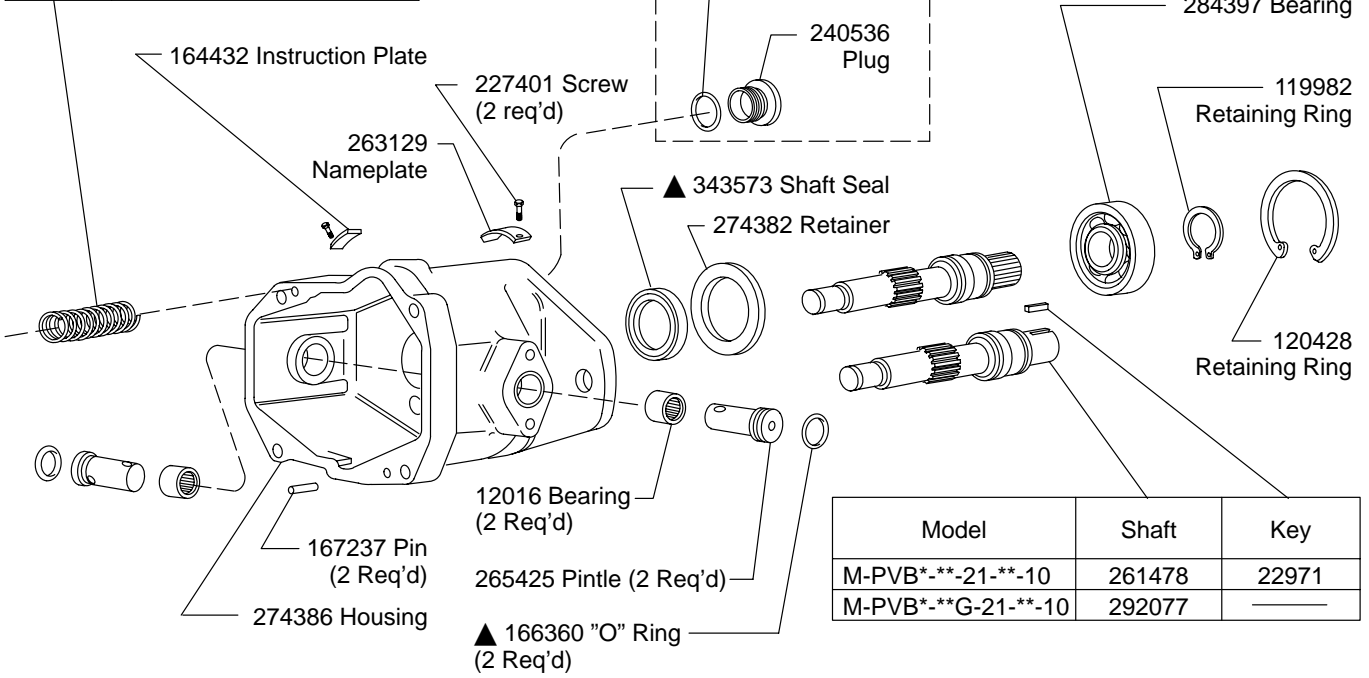
<input type="checkbox"/> Valve Plate S/A Includes 12016 Bearing	Model
938386	M-PVB10-R**-21-C(*)-*0
938385	M-PVB10-L**-21-C(*)-*0
938378	M-PVB15-R**-21-C(*)-*0
938377	M-PVB15-L**-21-C(*)-*0

Included in Valve Plate S/A

Foot Mounting Bracket Kit

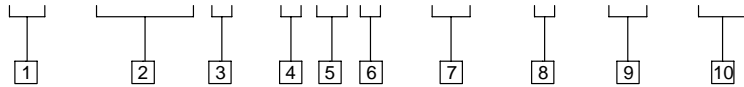


Spring	Model
278634	M-PVB*-*-2*-C, CG, CV
318617	M-PVB*-*-2*-CR-10



Model Code

M - P V B * - * S * - 21 - * - 10 - ***



1 Mobile Application

2 Model Series

PVB - Pump, variable displacement, inline piston unit

3 Flow Rating

@1800 RPM

10 - 10 USgpm

15 - 15 USgpm

4 Rotation Viewing Shaft End

R - Clockwise

L - Counterclockwise

5 Swash Plate Movement

S - Single side center

6 Shaft Type

G - Splined
(Omit for standard.)

7 Pump Design Number

8 Control Type

C - Pressure compensator
(250-3000 PSI)

CG - Remote compensator

CR - Differential cutoff compensator

CV - Load sensing compensator

9 Control Design

C - 10

CG - 20

CR - 10

CV - 20

10 Special Feature Number

For satisfactory service life of these components in industrial applications, use full flow filtration to provide fluid which meets ISO cleanliness code 18/15 or cleaner. Selections from Eaton OFF, OFR, and OFRS series are recommended.