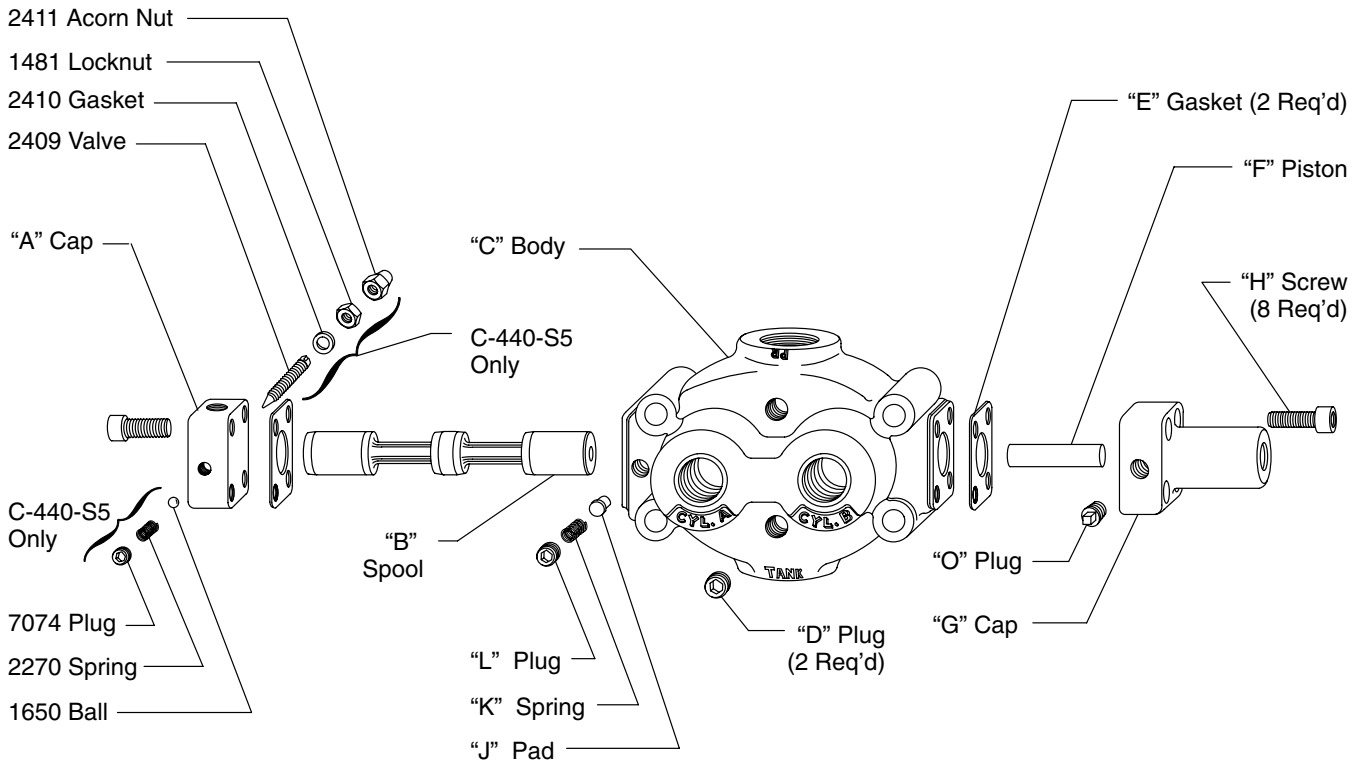


## Pilot Operated 4-Way Valves C2-400-S5 & C2-1400-S5



Model Number	A Cap	B Spool	C Body	D Plug	E Gasket	F Piston	G Cap	H Screw	J Pad	K Spring	L Plug	M Name Plate	N Screw	O Plug	
C-440-S5	7291	301-X	298-X	7075	2407	13437	13436	1071	-	-	-	-	-	16127	
C-480-S5	3019	3020	3018	-	82518		32296	1072							
C-482-S5			10299	-	2407		13436	1071							
C-1420-S5	13436	6371	6370	7075	82518	13437	32296	1072-A	-	-	-	17258	5X-15216	-	
C2-420-S5	30002	301-X	423-X	7075											1072
C2-440-S5			298-X												
C2-480-S5		3020	3018	-											1072-A
C2-482-S5			10200												
C2-1420-S5	29261	6370	7075	2118	1327-X	43388	1113	2571-X	49143	7075	36688	3X-36212	-		
C2-1440-S5	43387	5756	29171												
C2-1460-S5			21568												