



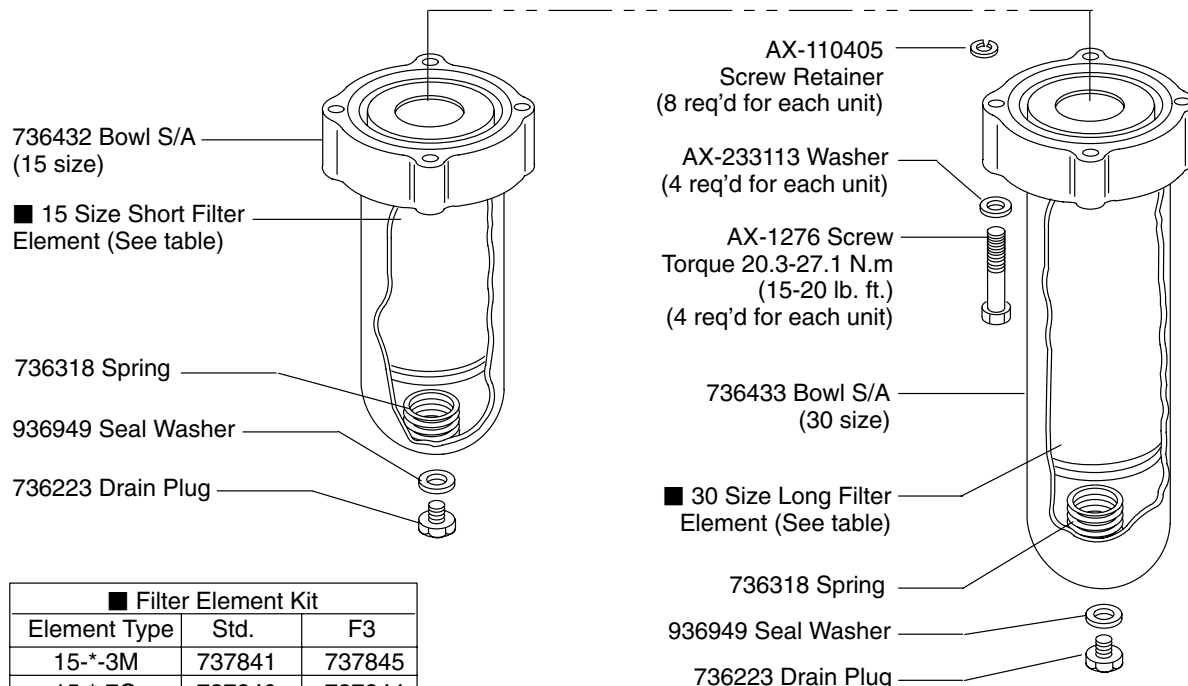
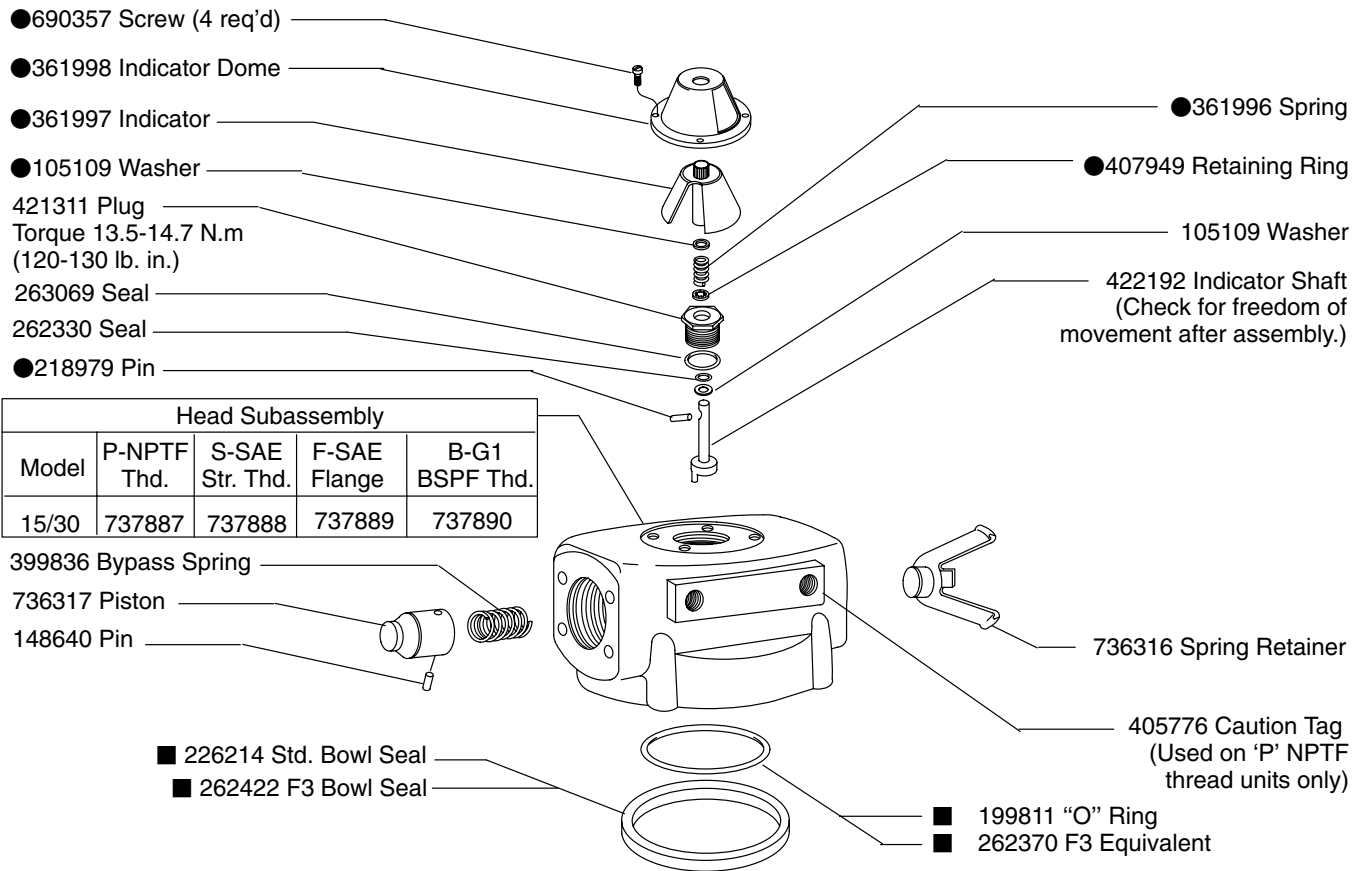
Large Return Line Filter

(F3)-OFR-15-*-(*)-(*)-30

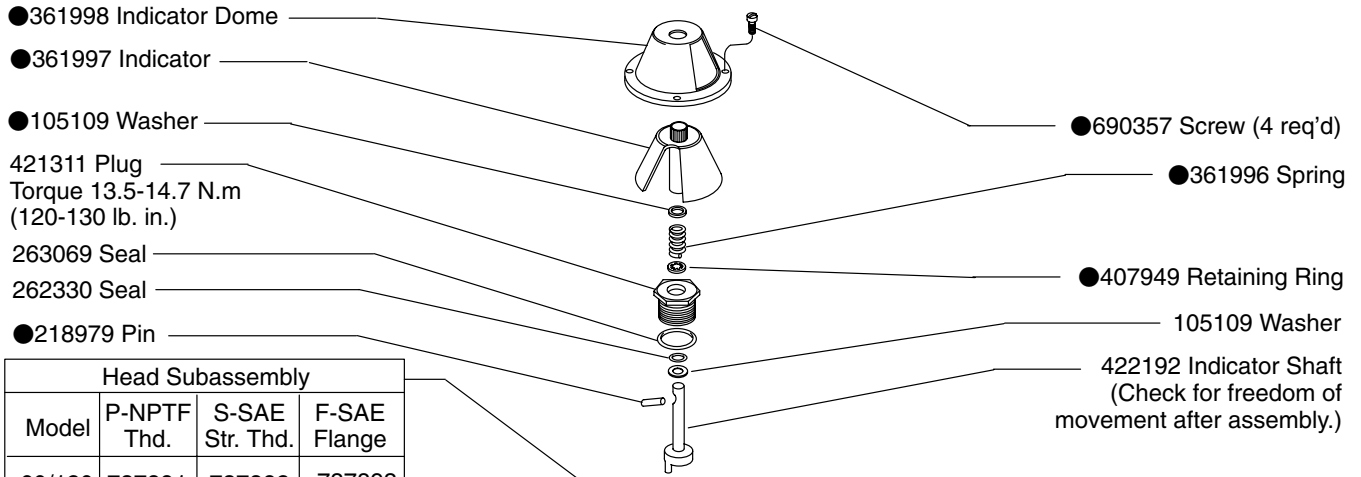
(F3)-OFR-60-*-(*)-(*)-(*)-30

(F3)-OFR-30-*-(*)-(*)-30

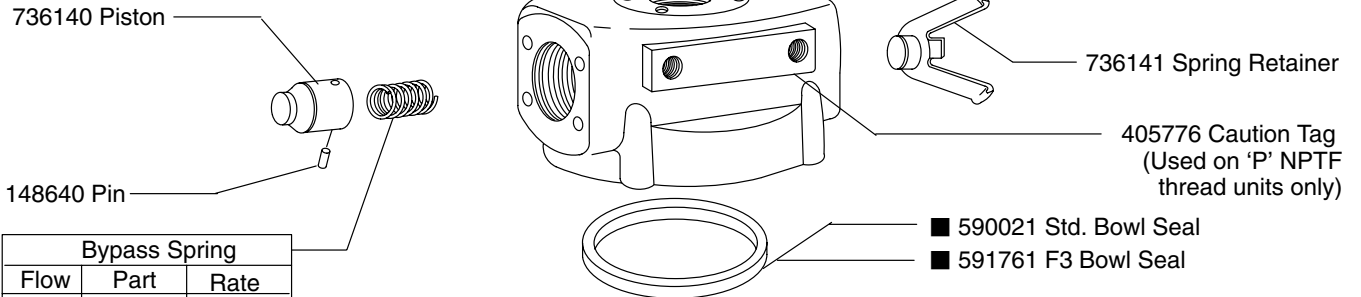
(F3)-OFR-120-*-(*)-(*)-(*)-30



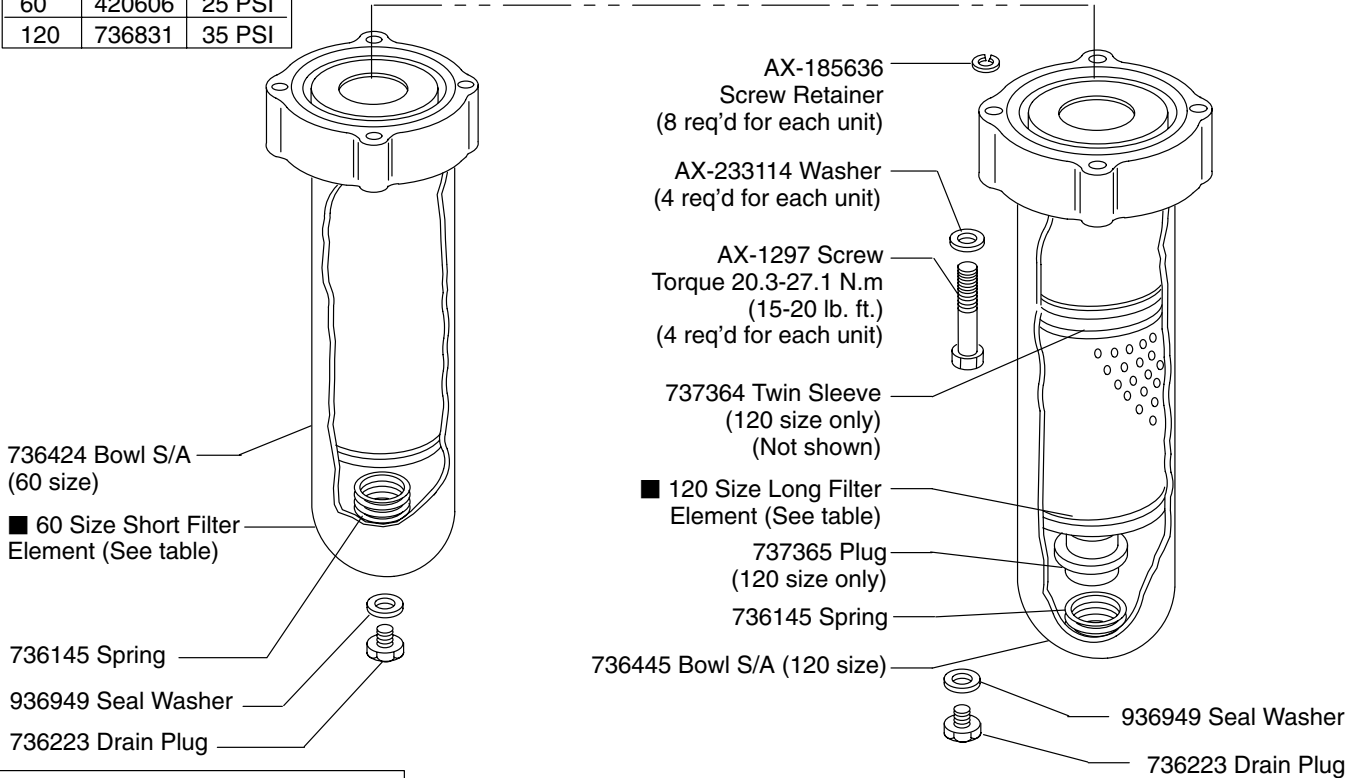
■ Filter Element Kit		
Element Type	Std.	F3
15-*-3M	737841	737845
15-*-7G	737840	737844
15-*-7M	737839	737843
15-*-10	737838	737842
30-*-3M	737849	737853
30-*-7G	737848	737852
30-*-7M	737847	737851
30-*-10	737846	737850



Head Subassembly			
Model	P-NPTF Thd.	S-SAE Str. Thd.	F-SAE Flange
60/120	737891	737892	737893



Bypass Spring		
Flow	Part	Rate
60	420606	25 PSI
120	736831	35 PSI



■ Filter Element Kit		
Element Type	Std.	F3
60-*-3M	737825	737829
60-*-7G	737824	737828
60-*-7M	737823	737827
60-*-10	737822	737826
60-*-3M	737833	737837
60-*-7G	737832	737836
60-*-7M	737831	737835
60-*-10	737830	737834

Note
 -30 design units are not interchangeable with any previous designs.

Note
 Units are manufactured with F3 seals, except the bowl seal, which is nitrile (standard).

■ Included in Element Kit

● Included in Mechanical Indicator Kit 941003. See back page for electrical indicator parts.

