

# Directional Controls

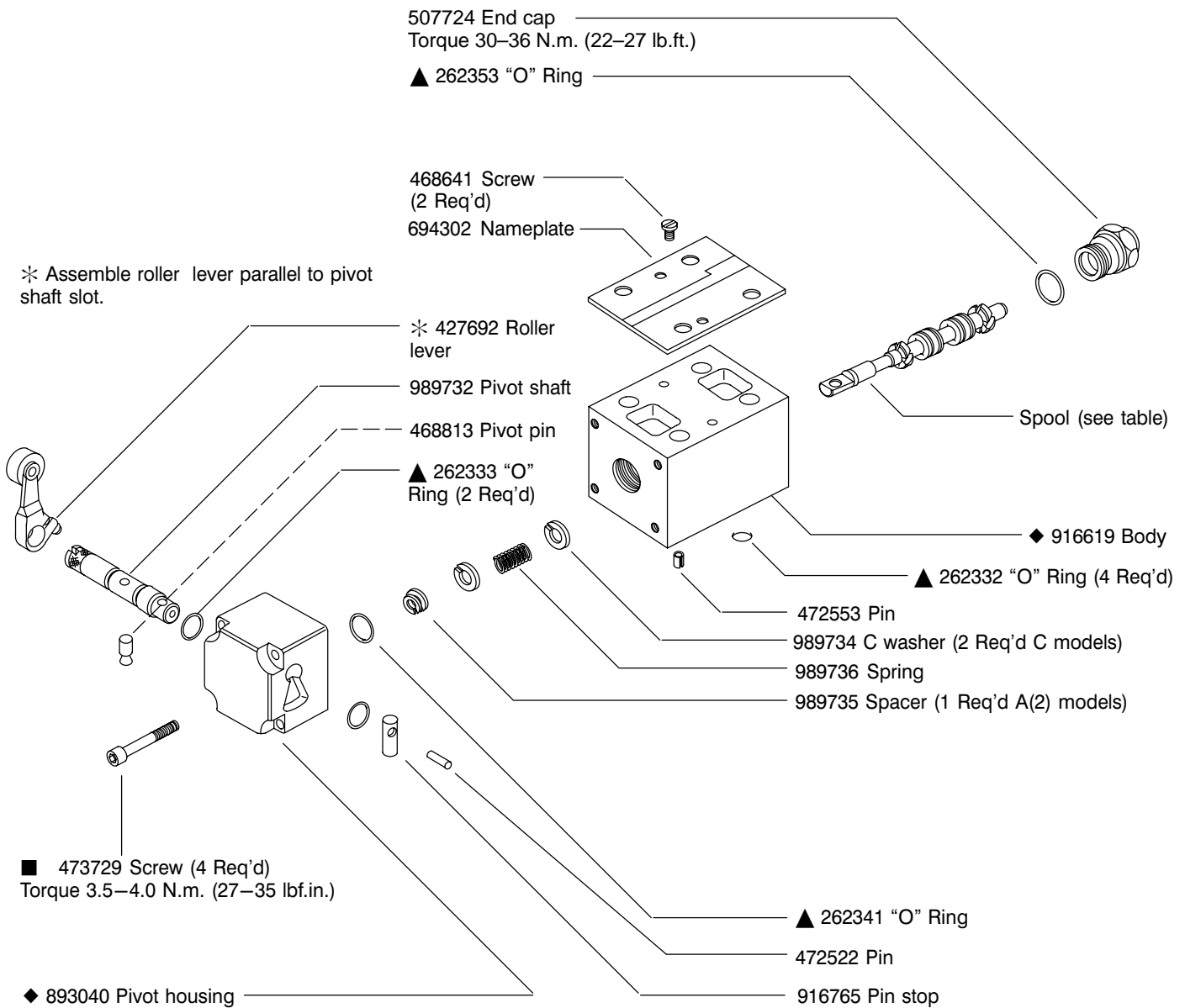


## Service Parts Information

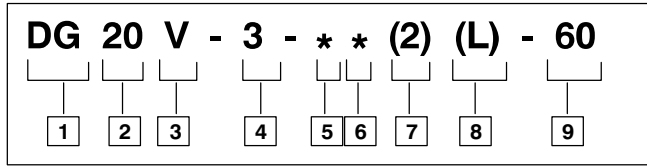
### Cam Operated CETOP 3 Directional Control Valve DG20V-3-\*\*(2)(L)-60

Spool Type	Model
0	916621
2	916622
6	916623
33	916620

**Note**  
Right hand assembly shown for all models.  
For left hand assembly all parts are re-versed except body.



# Model Code



**1** D – Directional control valve  
G – Subplate mounting

**2** Cam lever operated

**3** Rated pressure  
V – 350 bar (5075 psi)

**4** Interface  
3 – ISO 4401–03 (CETOP 3 & NFPA D03)

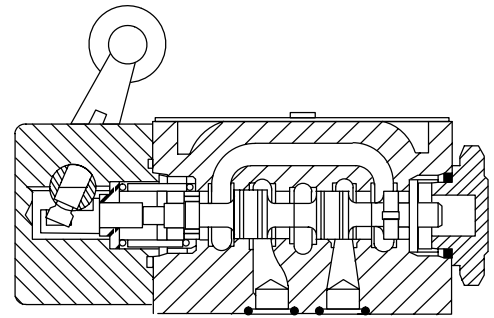
**5** Spool type (see table)

**6** Spool/Spring arrangement  
A – Spring offset, to cylinder “A”  
C – Spring centered

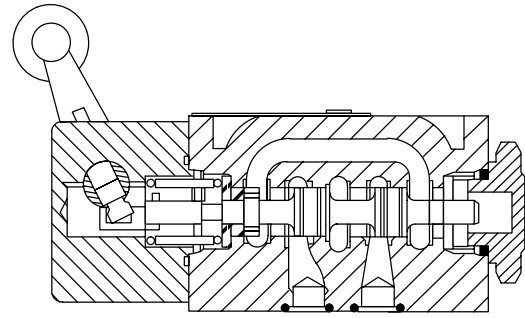
**7** Cam position  
Blank – Spring offset to position # 3  
2 – Spring offset to position # 1

**8** Build type  
L – Left hand build (lever on “B” port side of valve)  
Omit – Right hand build (lever on “A” port side of valve)

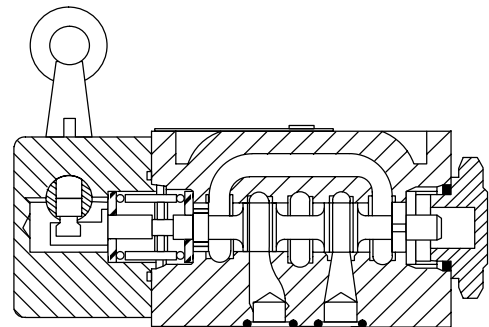
**9** Design



A B  
**DG20V–3–\*A–60** Sectional View  
Spring Offset, Offset To Cam Position # 3



A B  
**DG20V–3–\*A2–60** Sectional View  
Spring Offset, Offset To Cam Position # 1



A B  
**DG20V–3–\*C–60** Sectional View  
Spring Centered