

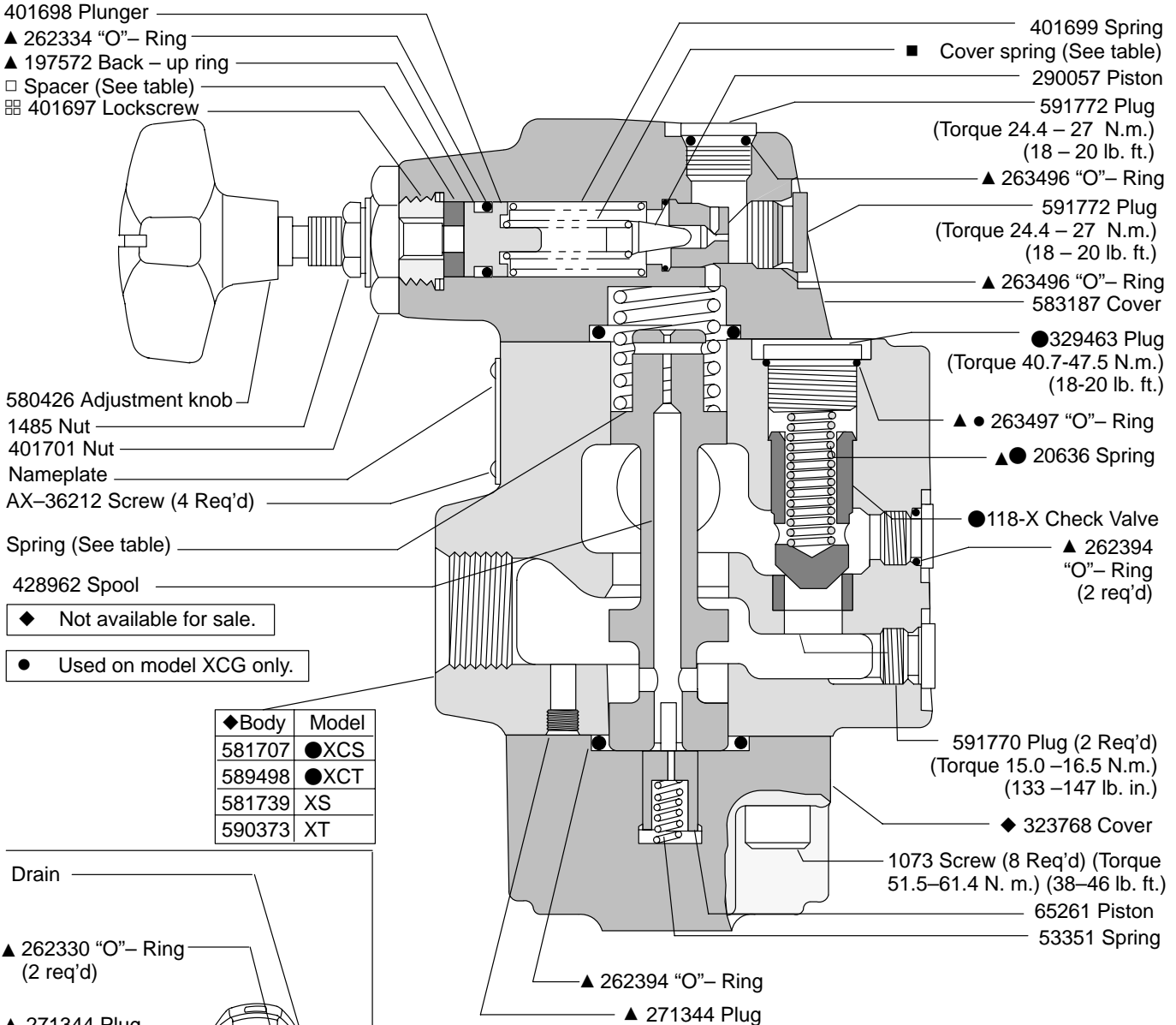
# Pressure Controls



## Pressure Reducing Valves

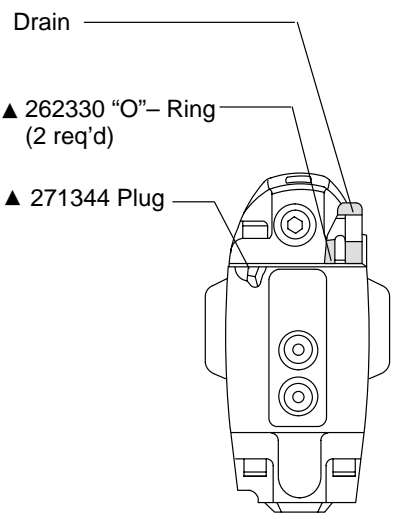
X(C)S - 06 - \*\* - 30

X(C)Y - 06 - \*\* - 30



- ◆ Not available for sale.
- Used on model XCG only.

◆ Body	Model
581707	● XCS
589498	● XCT
581739	XS
590373	XT



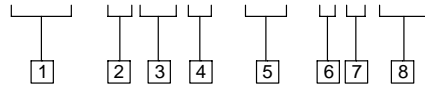
Model	◇ Spring	■ Cover spring	□ Spacer	Pressure range P.S.I.	Rated flow USGPM
X(C)*-06-1B-30	322653	2280		80-1000	15
X(C)*-06-1F-30	348614			200-1000	30
X(C)*-06-2B-30	322653	583937		80-2000	15
X(C)*-06-2F-30	348614			200-2000	30
X(C)*-06-3B-30	322653	401700	386715	200-2850	15
X(C)*-06-3F-30	348614				30

**NOTE**  
Install lockscrew W/Stepped O. D. end toward spacer or plunger as shown.

▲ Service all units with F3 seal kit 919615.

# Model Code

**(F3) - X(C) \* - 06 - \* \* -30**



**1 Seals**

**F3** - Seals for mineral oil and fire resistant fluids

**4 Threaded Connections**

**S** - 1.0625-12UN-2B Thd.  
**T** - 3/4 inch NPTF Thd.

**7 Maximum Rated Flow Capacity**

**B** - 15 USgpm  
**F** - 30 USgpm

**2 Model Series**

**X** - Pressure reducing valve

**5 Nominal Valve Size**

**06** - 3/4 inch

**8 Design**

**3 Integral Check Valve**

Omitted - No check valve

**6 Maximum Adjustable Pressure**

**1** - 1000 PSI  
**2** - 2000 PSI  
**3** - 3000 PSI

For satisfactory service life of these components, use full flow filtration to provide fluid which meets ISO cleanliness code 18/15 or cleaner. Selections from Eaton OFF, OFR and OFRS filter series are recommended.