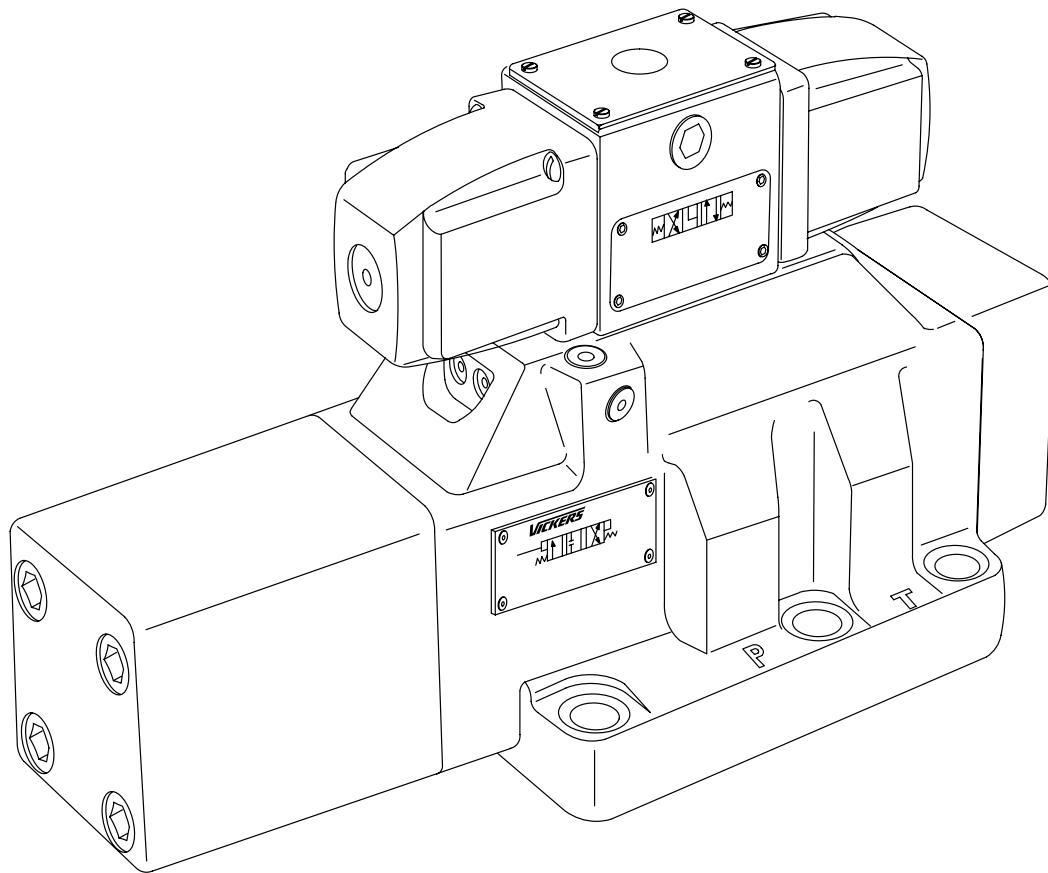


Directional Controls



Wet Armature, Pressure Centered, Solenoid Controlled, Pilot Operated Directional Control Valves

DG5S4(L)-10*D(X)-W-*-53



Model	Spool	Main Stage ID Plate W/Circuit Diagram	
		A	B, C, N
DG5S4-100D-53	364037	400975	400976
DG5S4-101D-53	*331404	————	400977
DG5S4-102D-53	364038	400975	400978
DG5S4-103D-53	*277479	————	400979
DG5S4-104D-53	281193	————	400980
DG5S4-106D-53	364039	400975	400981
DG5S4-108D-53	364041	————	400980
DG5S4-109D-53	277563	400975	400976
DG5S4-1031D-53	*277479	————	580475
DG5S4-1033D-53	364042	400975	400981

***Spool Assembly Note**

Assemble type '1' and '3' spools with narrow center land toward "A" end of valve. "A" end is defined as being closest to cylinder port "A".

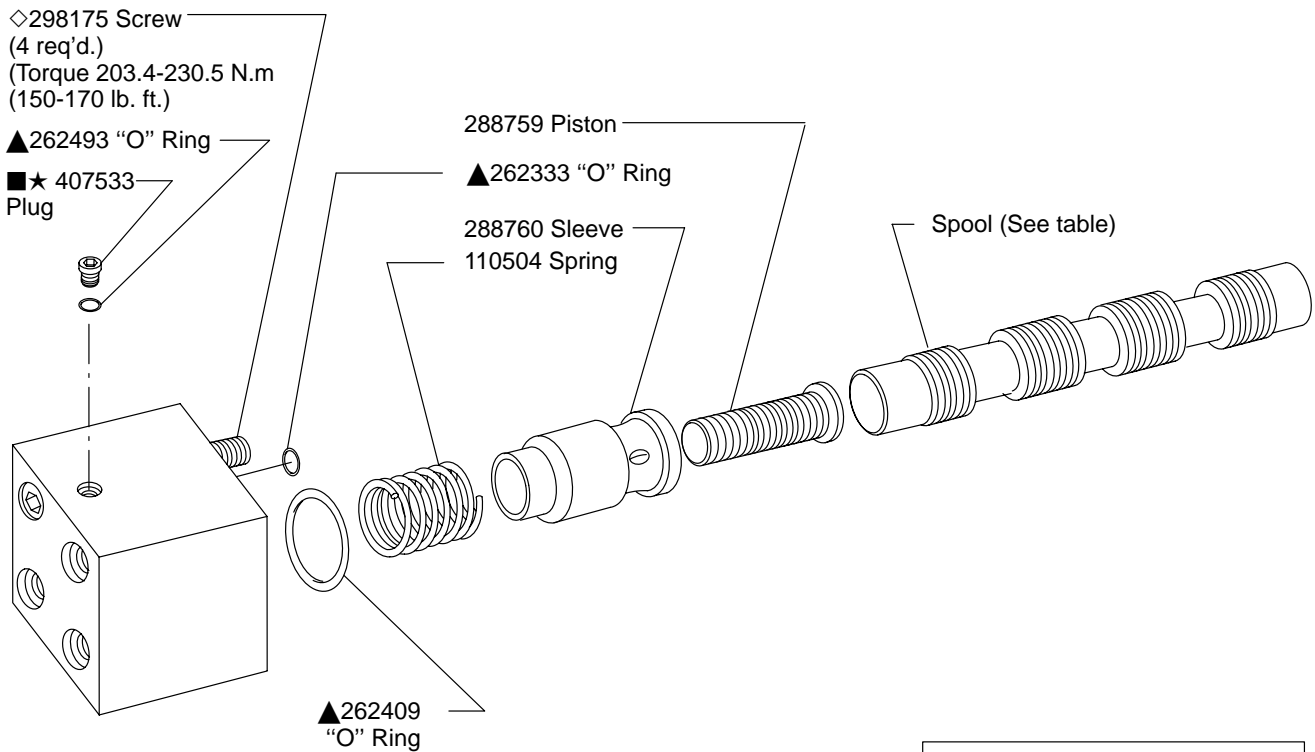
Seal Kit Note

The -53 design valves are manufactured as shown with F3 seals used internally. Interface seals are standard Nitrile material and are converted to F3 in the seal kit. All seals in the seal kit are F3.

■ Plug Torques (Oiled)		
Plug	N.m	lb. in.
7074	8.5 - 9.6	75-85
7075	20.0-23.0	180-205
30560	8.5-9.6	75-85
224026	8.5-9.6	75-85
226987	8.5-9.6	75-85
343740	10.0-11.8	90-105
363889	16.9-18.0	150-160
407553	3.4-4.0	30-35

Plug Installation Table		
Model	Plug "A"	Plug "B"
-10*D-53	226987	Out
-10*D-E-53	7074	226987
-10*DA-53	30560	Out
-10*DA-E-53	7074	30560
-10*DAX-53	Out	Out
-10*DAX-E-53	7074	
-10*DB-53	224026	224026
-10*DB-E-53	7074	

7074 NPTF Pipe Plug. Others are NPTF Orifice Plugs.



- ▲▲ Service all units with F3 Seal Kit 920213
- ◇ Included in fastener kit 941262
- Included in Bolt Kit 255633
- ⊘ Included in Bolt Kit 255654
- ★ Included in Plug Kit 941263
- Plug Torques (see table)
- ◆ Not available for sale
- Included in Cover Kit 942024
- ⊖ Used in Check Valve models only

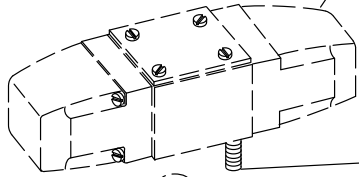
Note
Refer to Parts Drawing I-3487-S for models with Plug-in Features.

Note
SAE straight thread plugs used on exterior of valve.

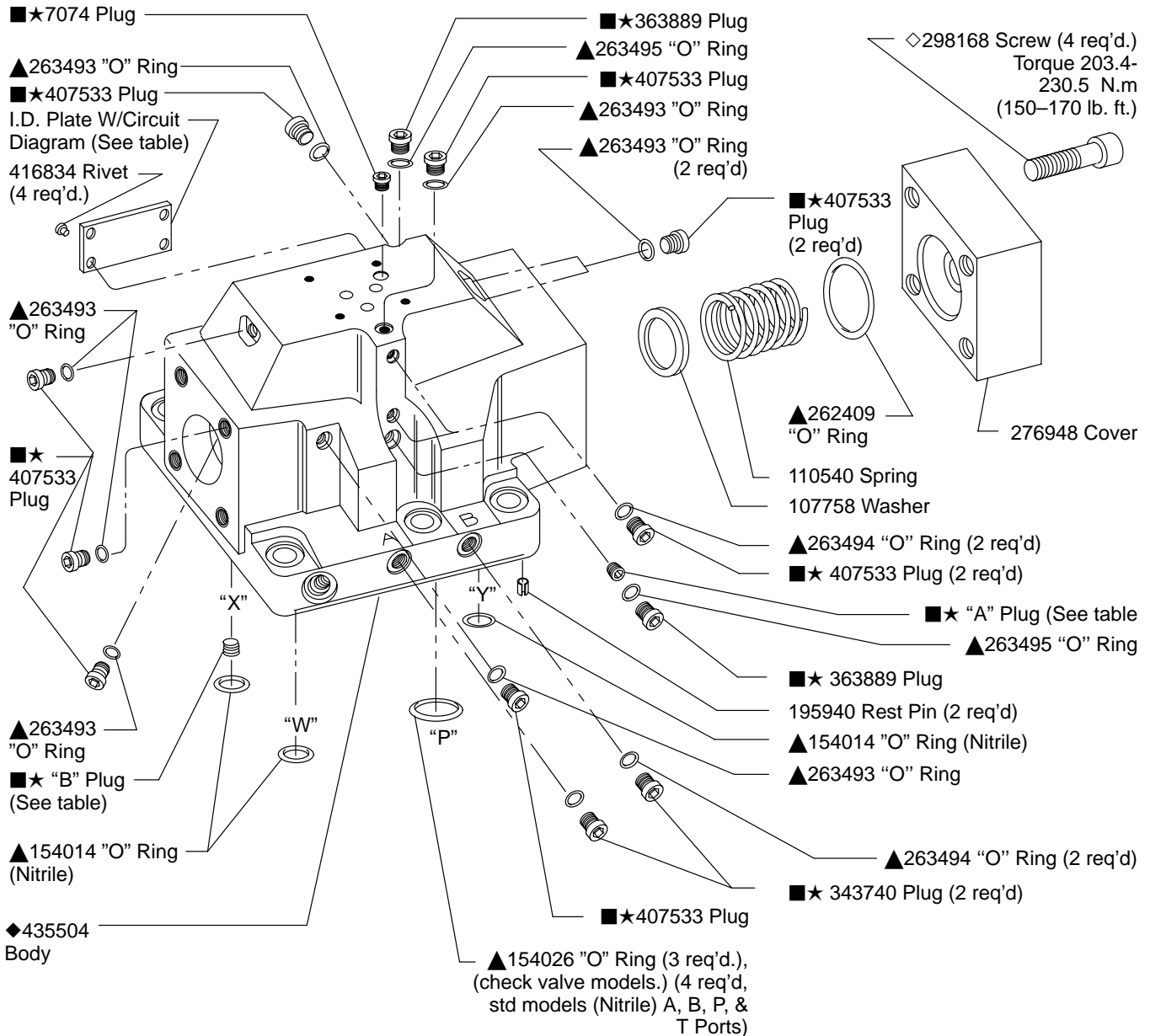
Note
Parts included in service kits will not be sold separately.

Valve Model	Main Stage Spool	Refer to Drawing
DG5S4-17C-W-*-50	0, 1, 2, 3, 6, 9, 33	I-3558-S
DG5S4-178C-W-*-50	4 & 8	

Pilot Attaching Parts		
Model	Bolt (4 req'd)	L'Washer (4 req'd)
W/Out Pilot Choke	□ 1034	☑□ 68907
W/Pilot Choke (See back page)	☑ 10938	
Torque to 11.3 - 12.65 N.m 100-112 lb. in.		

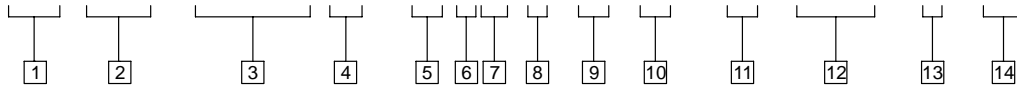


▲ 199811 "O" Ring (5 req'd)
(Ref.) (Nitrile)



Model Code

(F3) (P) - DG5S4 (L) - 10 * D (*) (X) (**) - (E) - W(3) - (*) - 53**



1 Seal Material

F3 - Seals for mineral oil and fire resistant fluids (Viton seals)

2 Electrical Plug Feature
(See note below)

3 Model Series

DG5S4 - Directional valve, subplate or manifold mounted, solenoid controlled, pilot operated, sliding spool, flow directions 4 - 4 way

4 Solenoid Indicator Lights

L - Light
Omitted - None

5 Series

10 - 100 (1.250 inch)

6 Spool Type

Main Stage Spool

7 Pressure Centered

8 Pilot Pressure Range

A - 20.0 - 70.0 bar (300 to 1000 psi)
B - 70.0 - 138.0 bar (1000 to 2000 psi)
Omitted - 138.0 - 207.0 bar (2000 to 3000 psi)

9 Response

"X" - Fast response model (available only for "A" pilot press range)
Omitted - Low shock model

10 Spool Control Modifications
(Omit if not required)

2 - Pilot choke adjustment
8 - Stroke adj. cylinder "B" end only
2-8 - If both are required

11 Pilot Pressure

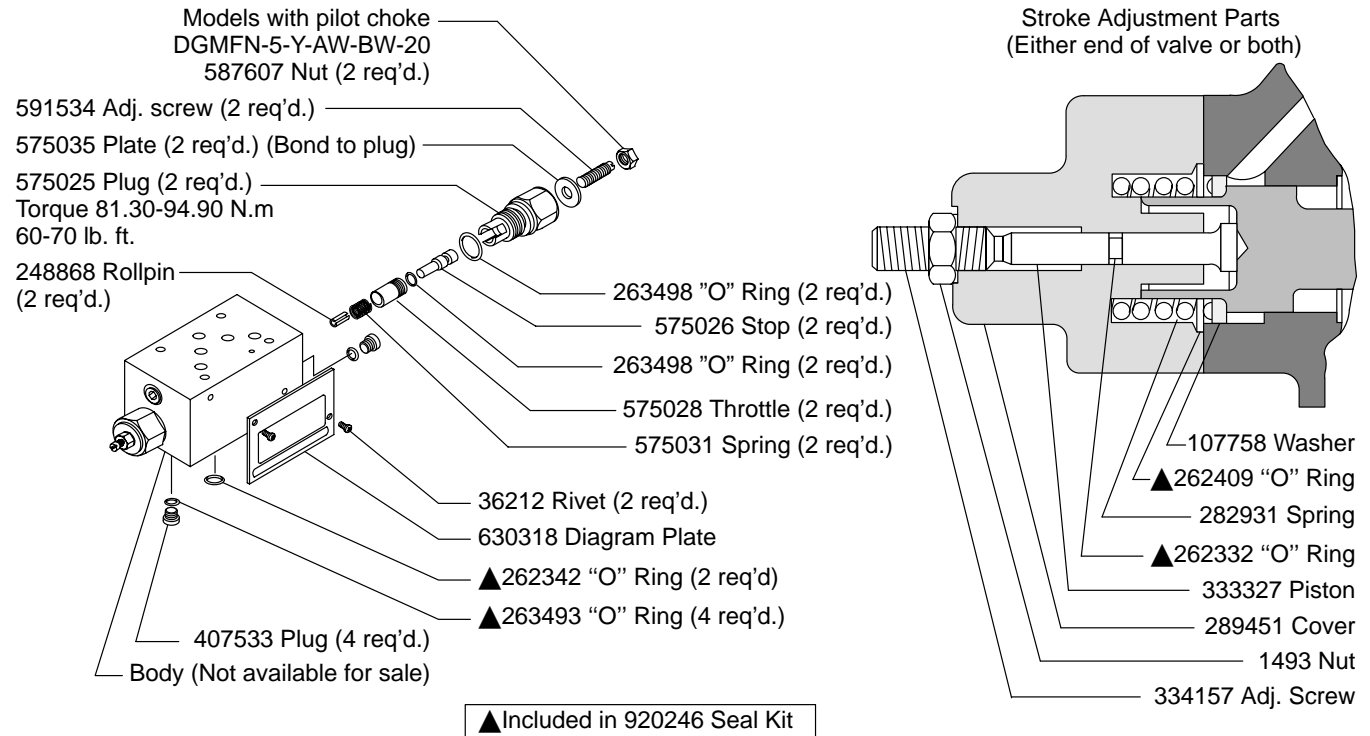
E - External
Omitted - Internal

12 Core Tube

W - Non serviceable
W3 - Serviceable

13 Coil Identification Letter

14 Design



Electrical Plug Feature (Omit if not required)

PA - Insta-Plug, Male Receptacle only
PB - Insta-Plug, Male & Female Receptacle

PA3 (3PIN) & **PA5** (5PIN) Receptacles that meet NFPA Hydraulic Valve Electrical Standard T3.5.29M-1980.

For satisfactory service life of these components in industrial applications, use full flow filtration to provide fluid which meets ISO cleanliness code 20/18/15 or cleaner. Selections from Eaton OFP, OFR, and OFRS series are recommended.