



Pilot Operated Directional Control Valves

DG3S4-10*C(X)-*-*-53

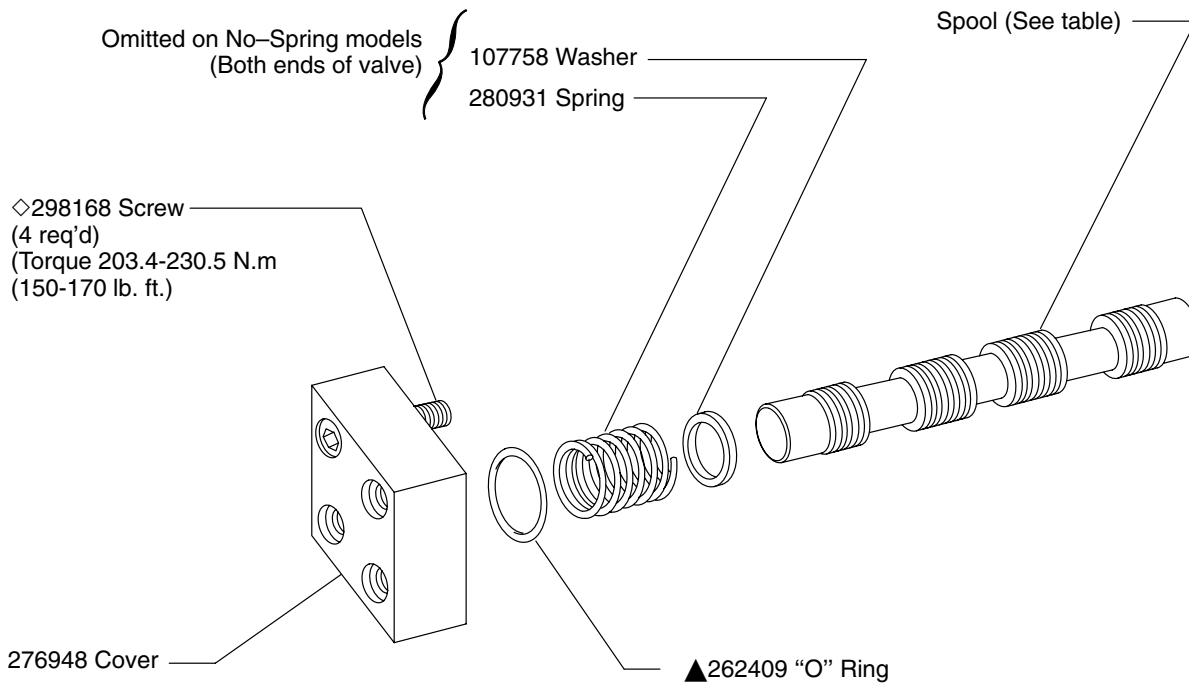
DG3S4-10*(X)-*-*-53

Model	Spool	Identification Plate (W/Circuit Diagram)	
		Spring Ctr.	No-Spring
DG3S4-100(C)(X)-*-53	364037	400976	400975
DG3S4-101C(X)-*-53	*331404	400977	—
DG3S4-102(C)(X)-*-53	364038	400978	400975
DG3S4-103C(X)-*-53	*277479	400979	—
DG3S4-104C(X)-*-53	281193	400980	
DG3S4-106(C)(X)-*-53	364039	400981	400975
DG3S4-108C(X)-*-53	364041	400980	—
DG3S4-109(C)(X)-*-53	277563	400976	400975
DG3S4-1031C(X)-*-53	*277479	580475	—
DG3S4-1033C(X)-*-53	364042	400981	

Model	Spring
DG3S4-10*(C)-K-53	H247287
DG3S4-10*(C)-L-53	H247288
DG3S4-10*(C)-R-53	H246428
DG3S4-10*(C)-S-53	H432353

***Spool Assembly Note**

Assemble type '1' and '3' spools with narrow center land toward "A" end of valve. "A" end of valve is defined as being closest to cylinder port "A". Type '31' spools are installed in reverse of type '3', with narrow center land toward "B" end of valve.



- ▲ Service all units with F3 Seal Kit 920150
- ⊖ Used in Check Valve models only
- Included in Cover Kit 942024
- Included in Fastener Kit 941257
- ☑ Included in Bolt Kit 255620

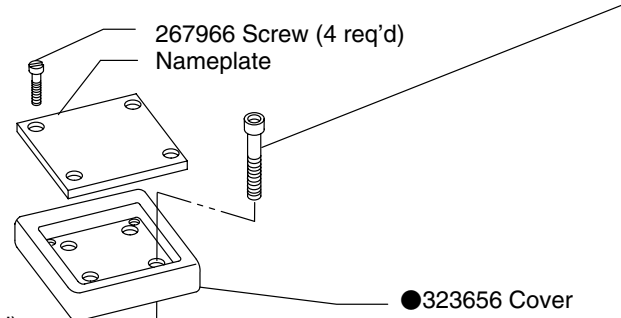
- ◇ Included in Fastener Kit 941262
- Plug torques (See table)
- ★ Included in Plug Kit 941263
- ◆ Not available for sale

Seal Kit Note

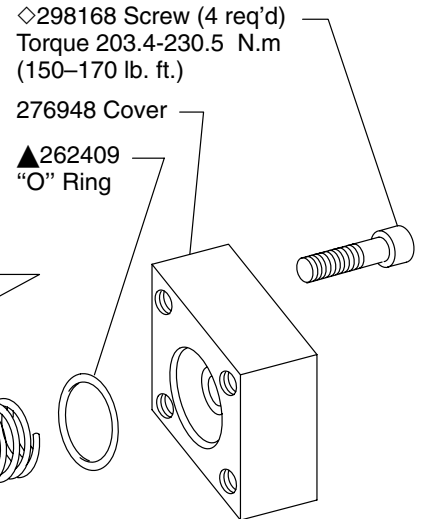
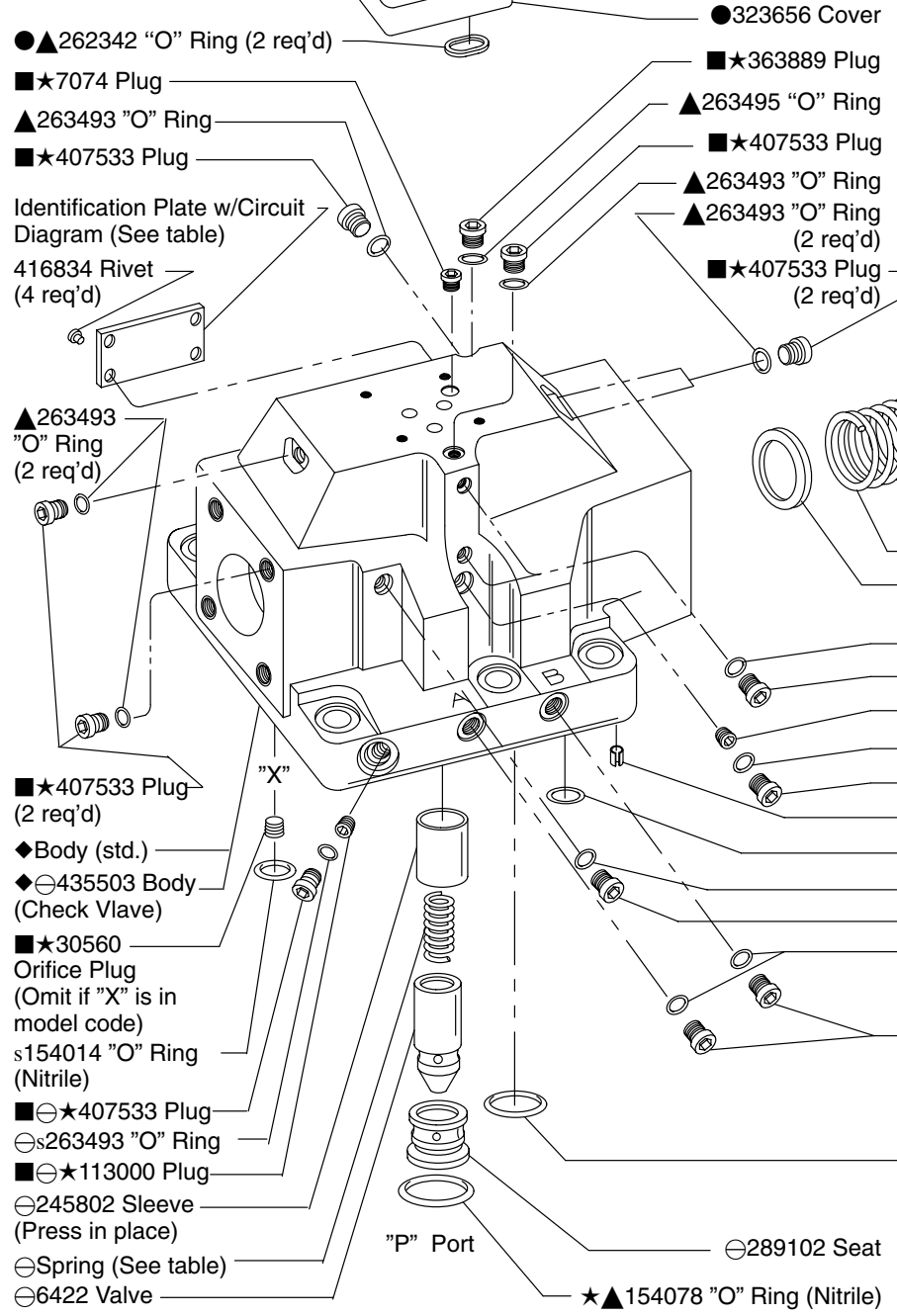
The -53 design valves are manufactured as shown with F3 seals used internally. Interface seals are standard Nitrile material and are converted to F3 in the seal kit are F3. All seals in the seal kit are F3.

Note

SAE straight thread plugs used on exterior of valve.



Cover Attaching Bolts	
Model	Bolt (4 req'd)
Without Pilot Choke	□ 1031
W/Pilot Choke (See Back Page)	▣ 10935
(Torque to 11.3 - 12.6 N.m) (100 - 112 lb. in.)	



280931 Spring } Omitted on
107758 Washer } No-Spring models
(Both ends of valve)

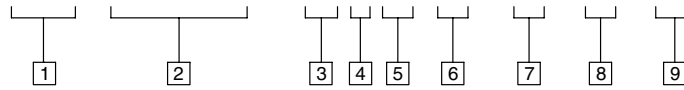
- ▲ 263493 "O" Ring (2 req'd)
- ★ 407533 Plug (2 req'd)
- ★ 7074 Plug
- ▲ 263495 "O" Ring
- ★ 363889 Plug
- 195940 Rest Pin (2 req'd)
- ▲ 154014 "O" Ring "Y" (Port)(Nitrile)
- ▲ 263493 "O" Ring (2 req'd)
- ★ 407533 Plug
- ▲ 263494 "O" Ring (2 req'd)
- ★ 343740 Plug (2 req'd)
- ▲ 154026 "O" Ring (Nitrile)
(3 req'd), Check Valve models.
4 req'd, Std. models A, B, P, & T Ports

Note
Part numbers included in service kits
will not be sold separately.

■ Plug Torques (Oiled)		
Plug	N.m	lb. in.
7074	8.5 - 9.6	75-85
30560		
113000	5.0 - 5.9	45-52
343740	10.0 - 11.8	90-105
363889	16.9 - 18.0	150-160
407533	3.4 - 4.0	30-35

Model Code

(F3) - DG3S4 - 10 * (*) (X) - (*) - (*) - 53



1 Seal Material

F3 - Seals for mineral oil and fire resistant fluids

2 Model Series

DG3S4 - Directional valve, subplate or manifold mounted, pilot operated, sliding spool, flow directions 4 - 4 way

3 Series

100 (1.250 inch)

4 Spool Type

5 Model Type

C - Spring centered model
Omitted - No-spring model

6 Model Type

"X" - Fast response model
Omitted - No-spring model

7 Spool Control Modifications

(Omit if not required)

- 1 - Stroke adjustments
- 2 - Pilot choke adjustments
- 3 - Pilot choke & stroke adjs.
- 4 - Stroke adj. "A" end only
- 5 - Stroke adj. "B" end only

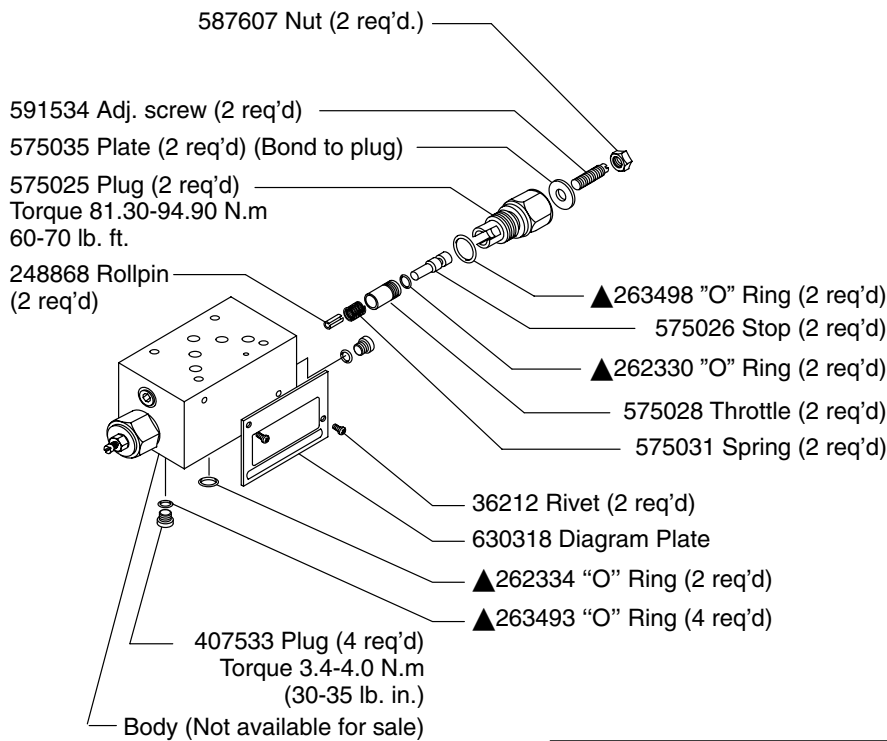
8 Check Valve

(Omitted - No check valve)

- K** - 5 PSI (0.35 bar) cracking press.
- L** - 35 PSI (0.35 bar) cracking press.
- R** - 50 PSI (0.35 bar) cracking press.
- S** - 75 PSI (0.35 bar) cracking press.

9 Design

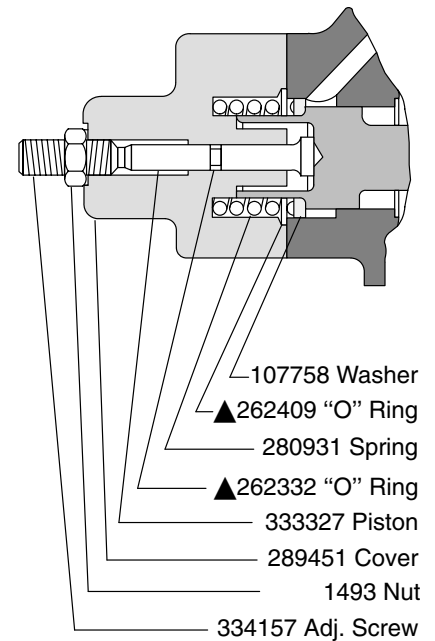
Models with pilot choke DGMFN-5-Y-AW-BW-20



▲ Included in 920246 Seal Kit

Stroke Adjustment Parts

(Either end of valve or both)



For satisfactory service life of these components in industrial applications, use full flow filtration to provide fluid which meets ISO cleanliness code 18/15 or cleaner. Selections from Eaton OFF, OFR, and OFRS series are recommended.