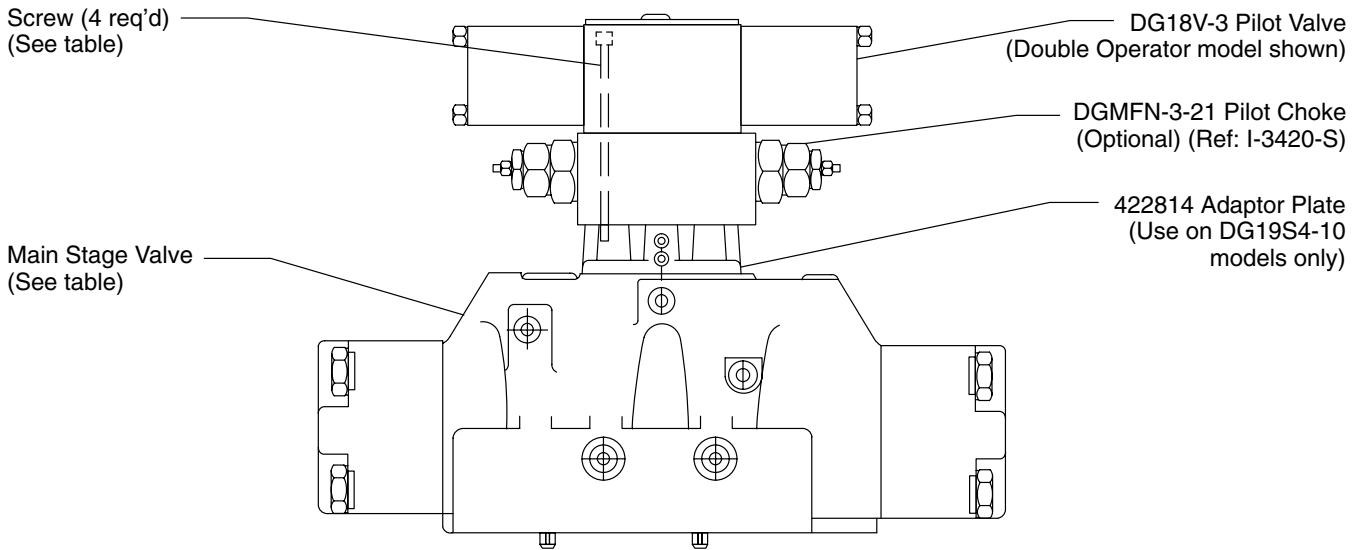


Air Controlled Pilot Operated Directional Valves

DG19S-10-**-*-53
DG19S-H8-**-50

DG19S4-10-**-M-70

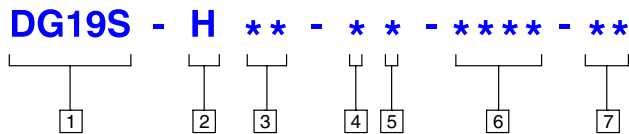


Model	Screw (4 req'd) (w/o Pilot choke)	Screw (4 req'd) (with Pilot choke)	Screw Torque
DG19S-8-**-20	473732	417413	4.5-5.7 N.m (40-50 lb.in.)
DG19S-H8-**-50			
DG19S4-10**-M-70	10932	207900	

For Models Listed Below	Use Main Stage Portion Of DG5S Valve	DG5S Parts Drwg.	And Air Controlled DG18V-3-**-40 Pilot Valve	DG18V-3 Parts Drwg.
DG19S-8-*A-20	DG5S4-8-*A-**-20	I-3869-S	DG18V-3-2A-40	I-3616-S
DG19S-8-4/8A-20	DG5S4-8-4/8A-**-20		DG18V-3-28A-40	
DG19S-8-*B-20	DG5S4-8-*B-**-20		DG18V-3-6B-40	
DG19S-8-4/8B-20	DG5S4-8-4/8B-**-20		DG18V-3-68BL-40	
DG19S-8-*C-20	DG5S4-8-*C-**-20		DG18V-3-6C-40	
DG19S-8-4/8C-20	DG5S4-8-4/8C-**-20		DG18V-3-68C-40	
DG19S-8-*F-20	DG5S4-8-*F-**-20		DG18V-3-6F-40	
DG19S-8-4/8F-20	DG5S4-8-4/8F-**-20		DG18V-3-68F-40	
DG19S-8-*N-20	DG5S4-8-*C-**-20		DG18V-3-6N-40	
DG19S-8-4/8N-20	DG5S4-8-4/8C-**-20		DG18V-3-68N-40	
DG19S-8-*D-20	DG5S4-8-*D-**-20		DG18V-3-7F-40	
DG19S-8-4/8D-20	DG5S4-8-4/8D-**-20	DG18V-3-78F-40		

For Models Listed Below	Use Main Stage Portion Of DG5S Valve	DG5S Parts Drwg.	And Air Controlled DG18V-3-**-40 Pilot Valve	DG18V-3 Parts Drwg.
DG19S-H8-*A-50	DG5S-H8-*A-**-50	I-3868-S	DG18V-3-2A-40	I-3616-S
DG19S-H8-4/8A-50	DG5S-H8-4/8A-**-50		DG18V-3-28A-40	
DG19S-H8-*B-50	DG5S-H8-*B-**-50		DG18V-3-6B-40	
DG19S-H8-4/8B-50	DG5S-H8-4/8B-**-50		DG18V-3-68BL-40	
DG19S-H8-*C-50	DG5S-H8-*C-**-50		DG18V-3-6C-40	
DG19S-H8-4/8C-50	DG5S-H8-4/8C-**-50		DG18V-3-68C-40	
DG19S-H8-*F-50	DG5S-H8-*F-**-50		DG18V-3-6F-40	
DG19S-H8-4/8F-50	DG5S-H8-4/8F-**-50		DG18V-3-68F-40	
DG19S-H8-*N-50	DG5S-H8-*C-**-50		DG18V-3-6N-40	
DG19S-H8-4/8N-50	DG5S-H8-4/8C-**-50		DG18V-3-68N-40	
DG19S4-10*A-M-70	DG5S4-10*A-M-70	I-3870-S	DG18V-3-2A-40	
DG19S4-10*A-M-70	DG5S4-104/8A-M-70		DG18V-3-28A-40	
DG19S4-10*B-M-70	DG5S4-10*B-M-70		DG18V-3-6B-40	
DG19S4-104/8B-M-70	DG5S4-104/8B-M-70		DG18V-3-68BL-40	
DG19S4-10*C-M-70	DG5S4-10*C-M-70		DG18V-3-6C-40	
DG19S4-104/8C-M-70	DG5S4-104/8C-M-70		DG18V-3-68C-40	
DG19S4-10*N-M-70	DG5S4-10*C-M-70		DG18V-3-6N-40	
DG19S4-104/8N-M-70	DG5S4-104/8C-M-70		DG18V-3-68N-40	
DG19S4-10*D-M-70	DG5S4-10*D-**-53	I-3625-S	DG18V-3-7F-40	
DG19S4-104/8D-M-70	DG5S4-104/8D-**-53		DG18V-3-78F-40	

Model Code



1 Model Series

DG19S - Air controlled, pilot operated directional valve

2 High Flow

(Omit on standard models)

H

3

Interface

- 8** - NFPA-D08 (ISO-4401-08)
- 10** - NFPA-D10 (ISO-4401-10)

4 Main Stage Spool Type

5 Spool/Spring Arrangement

- A** - Spring offset
- B** - Spring Centered, Operator "A" Removed
- C** - Spring Centered
- D** - Pressure Centered (8 & 10 size only)
- F** - Spring Offset, Shift to Center
- N** - No Spring Detented

6 Main Stage Options

(Refer to DG5S Parts Drwg.)

7 Design

For satisfactory service life of these components, use full flow filtration to provide fluid which meets ISO cleanliness code 18/15 or cleaner. Selections from Eaton OFF, OFR and OFRS filter series are recommended.

Printed in U.S.A.