

Service Data

Vickers®

# Directional Controls

---



## Spring Offset Pilot Operated Directional Control Valve

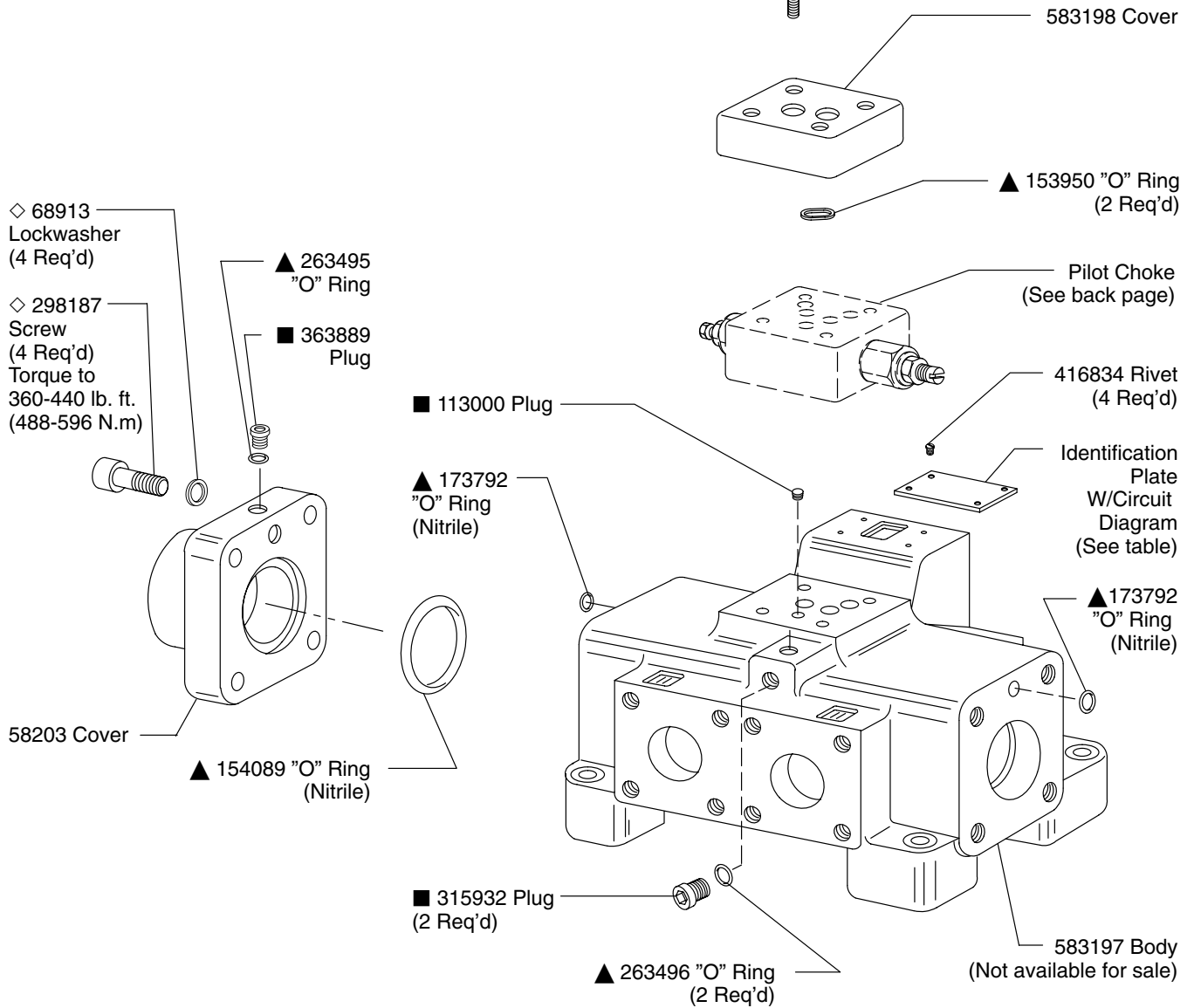
DF3S4-16\*A\*-53



Revised 09/01/85

I-3555-S

| Model   | Bolt<br>(4 Req'd) |
|---|-------------------|
| W/Pilot Choke                                   | ■ 10937           |
| W/Out Pilot Choke                               | □ 1033            |
| Torque to 100 -112 lb. in.<br>(11.3 - 12.7 N.m) |                   |



- ▲▲ Included in Standard Seal Kit 919406  
F3 equivalent Seal Kit 919410
- ◇ Included in Fastener Kit 941309
- Included in Bolt Kit 255651
- Included in Bolt Kit 255637
- Plug Torques (See table)

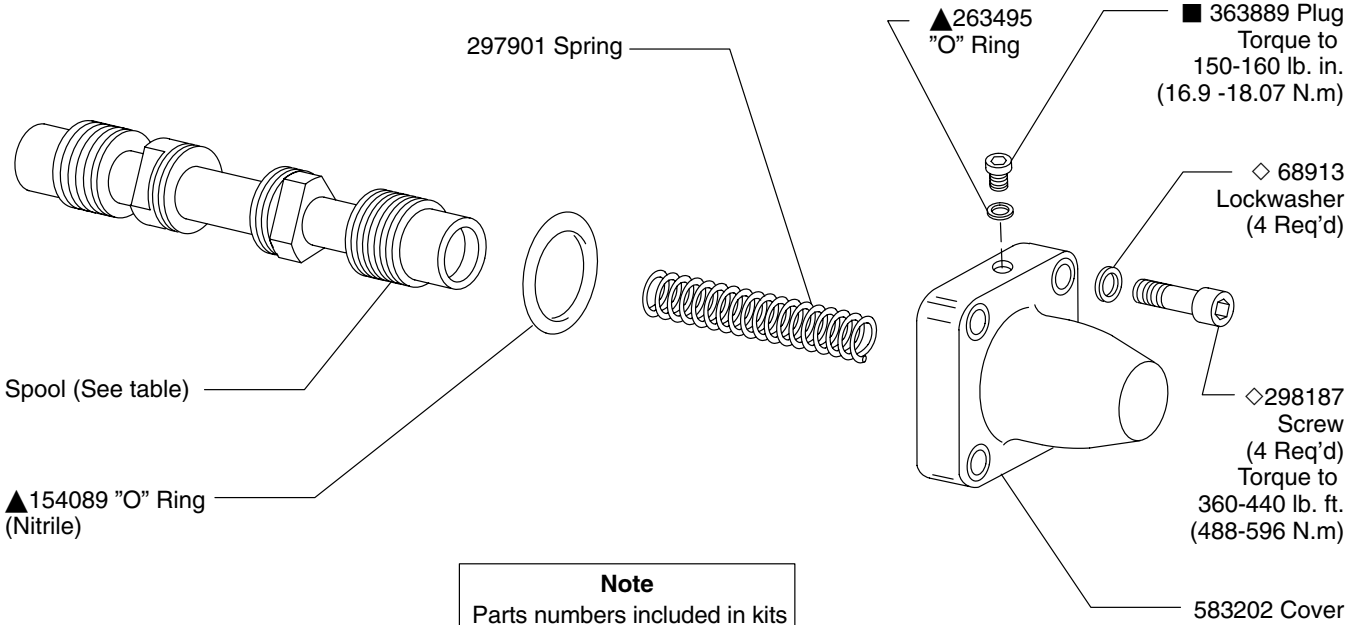
**Note**  
SAE straight thread plugs  
used on exterior of valve

See parts drawing I-3962-S  
for connection flanges

**Note**  
 Right hand assembly shown. For left hand assembly, end covers & spring are reversed & I.D. plate is changed to L.H. (Example: DF3S4-160A-53-LH)

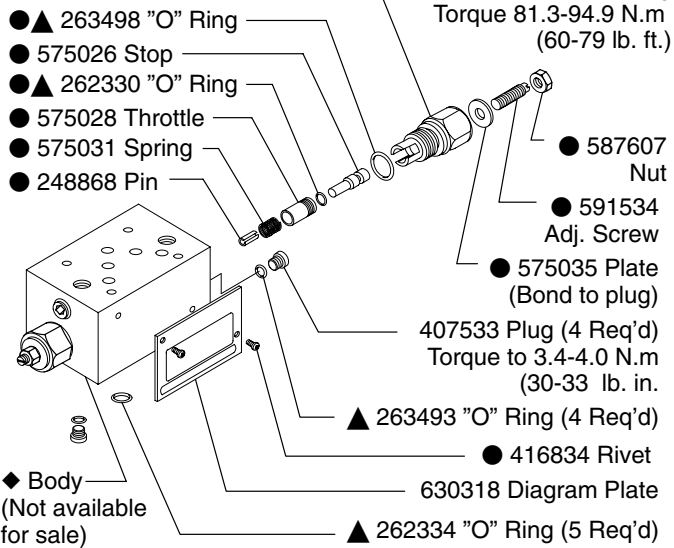
| Model             | Spool  | Ident. Plate |        |
|-------------------|--------|--------------|--------|
|                   |        | R.H.         | L.H.   |
| DF3S4-160A-* -53  | 273677 | 400960       | 434311 |
| DF3S4-162A-* -53  | 273676 |              |        |
| DF3S4-166A-* -53  | 275804 |              |        |
| DF3S4-169A-* -53  | 275806 |              |        |
| DF3SA-1633A-* -53 | 317777 |              |        |

| ■ Plug Torques (Oiled) |           |         |
|------------------------|-----------|---------|
| Plug                   | N.m       | lb. in. |
| 7075                   | 20.0-23.0 | 180-205 |
| 113000                 | 5.0-5.9   | 45-52   |
| 315932                 | 22.5-27.0 | 200-240 |
| 363889                 | 16.9-18.0 | 150-160 |



**Note**  
 Parts numbers included in kits will not be sold separately.

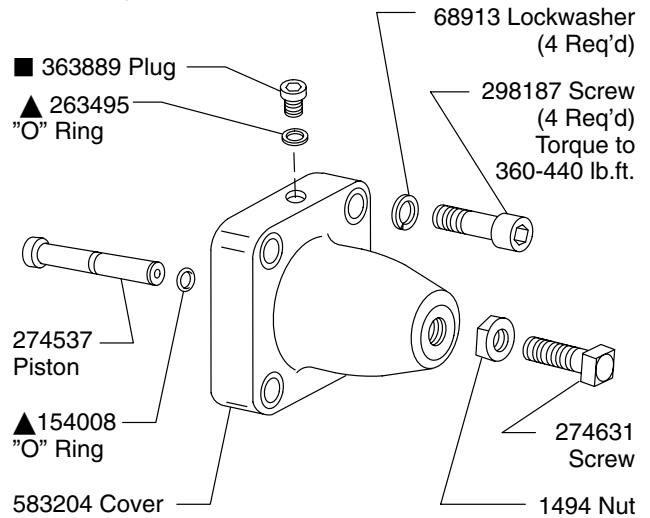
**Models With Pilot Choke**



◆ Order complete choke (DGMFN-5-Y-AW-BW-20 if body is required.

- Qty. 2 Required
- ▲ Included in 920246 seal kit

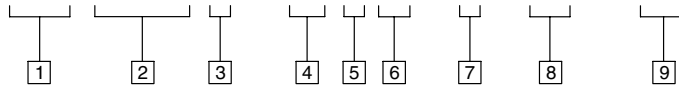
**Stroke Adjustment Parts**



■ Plug torques (See table on previous page)

**Model Code**

**(F3) DF3S 4 - 16 \* A - \* - 53 - (LH)**



**1 Seal Material**

**F3** - Seals for mineral oil and fire resistant fluids

**2 Model Series**

**DF3S** - Directional control valves, flange connection, pilot operated, sliding spool

**3 Flow Direction**

**4** - 4 way

**4 Valve Size**

160 Series (2.00 inch)

**5 Spool Type**

**6 Spring Offset**

**7 Spool Control Modification**

- 2** - Pilot choke adjustment
- 7** - Stroke adjustment cylinder "A" end only (RH model)
- 8** - Stroke adjustment cylinder "B" end only (LH model)

**8 Design**

**9 Offset to "B"**  
(Omit for standard Offset to "A" models.)

For satisfactory service life of these components, use full flow filtration to provide fluid which meets ISO cleanliness code 20/18/15 or cleaner. Selections from Eaton OFF, OFR, and OFRS series are recommended.