

Flange Valves

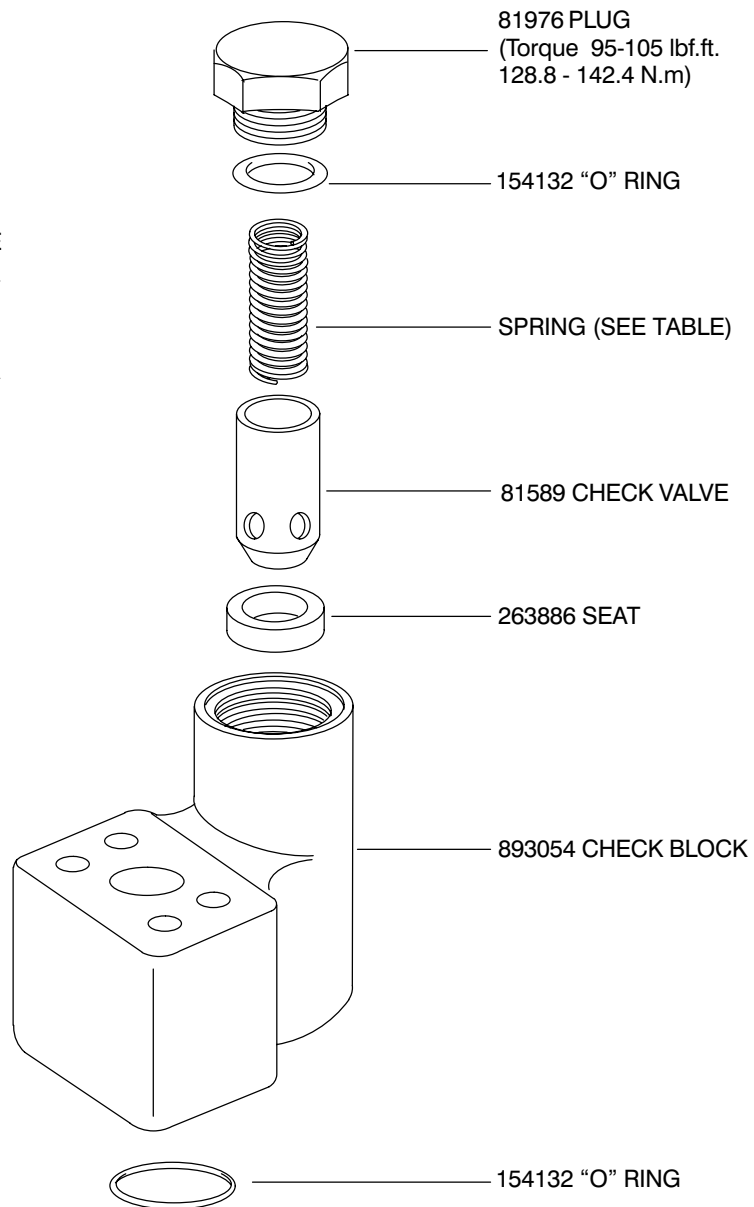


Pump Flange Mounted Check Valves

DCPFS-08-*-20
 DCPFS-10-*-20
 DCPFS-12-*-20

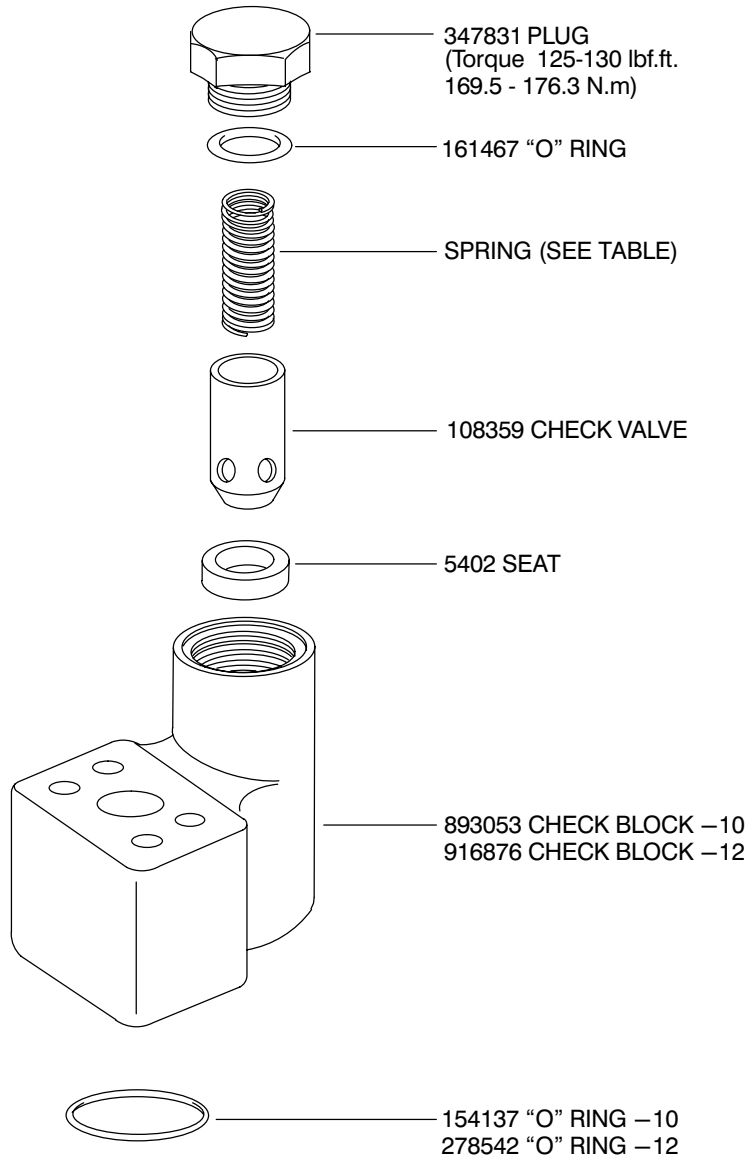
DCPFS-08-*-20

MODEL	SPRING	PRESSURE RANGE
DCPFS-08-5-20	2943	5 psi
DCPFS-08-50-20	25896	50 psi
DCPFS-08-75-20	32999	75 psi



DCPFS-10-*-20
DCPFS-12-*-20

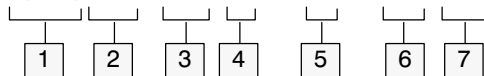
MODEL	SPRING	PRESSURE RANGE
DCPFS-**-5-20	2284	5 psi
DCPFS-**-50-20	29059	50 psi
DCPFS-**-75-20	39778	75 psi



For satisfactory service life of these components in industrial applications, use full flow filtration to provide fluid which meets ISO 4406 cleanliness code 20/16 or cleaner.

Model Code

(F3) DC PF S - ** - ** - 20



<p>1 Special seals</p> <p>F3 – For mineral oil & fire resistant fluids. (Omit if not required)</p>	<p>4 Flange type</p> <p>S – SAE J518C 4 bolt flange standard series code 61</p>	<p>6 Spring cracking pressure</p> <p>5 – 5 psi 50 – 50 psi 75 – 75 psi</p>
<p>2 Valve function</p> <p>DC – Check Valve</p>	<p>5 Valve size</p> <p>08 – 1” 10 – 1 1/4” 12 – 1 1/2”</p>	<p>7 Design number, 20 series</p> <p>Subject to change. Installation dimensions unaltered for design numbers 20 to 29 inclusive.</p>
<p>3 Mounting type</p> <p>PF – Pump flange mounting</p>		