

Service Data

Vickers®

Piston Pumps



Inline Piston Pump with Stem Servo Control

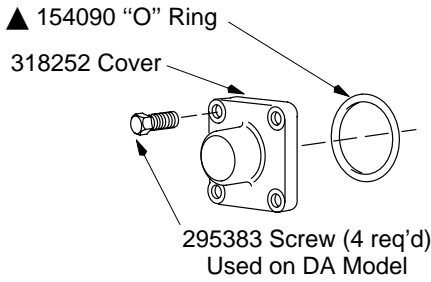
(F3)-PVB45-F*DF-21-DA(A)-31



Revised 12-1-87

I-3269-S

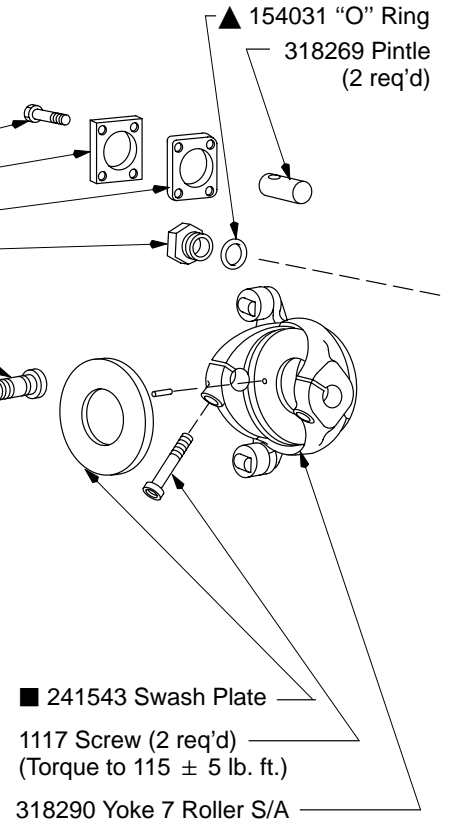
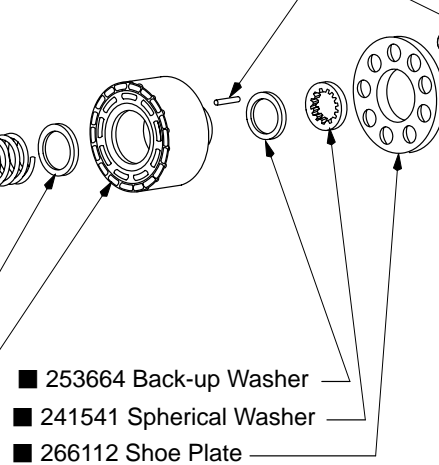
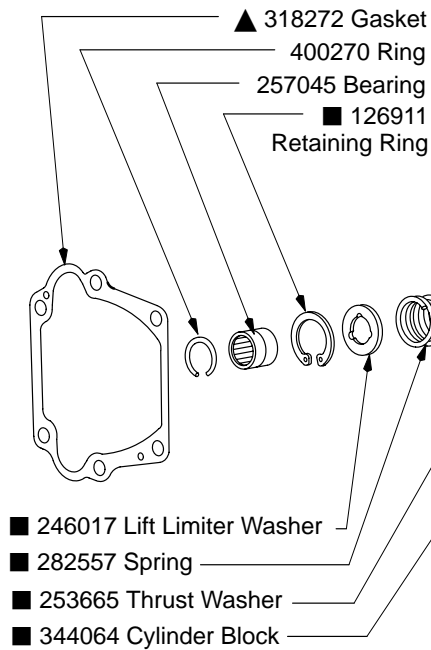
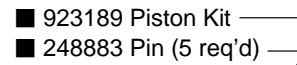
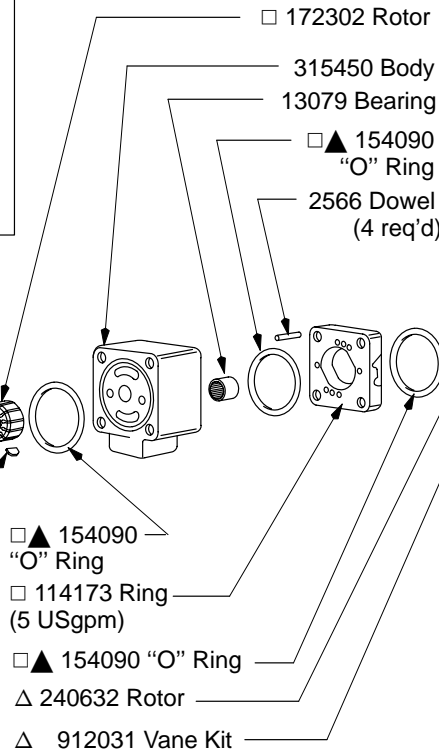
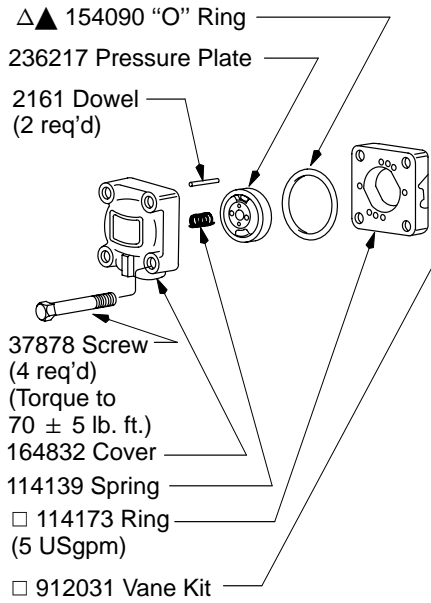
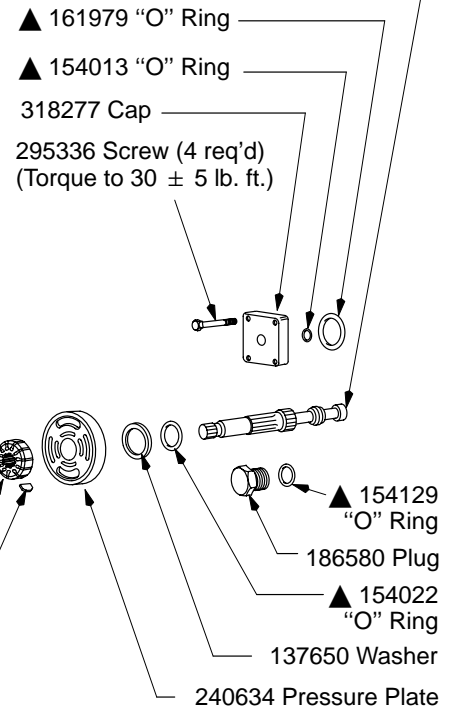
Used on PVB45-(F)-*DF-21-DA-31



*** NOTE**

Thread shaft until bottomed. Back off 1/8 turn then install coupling.

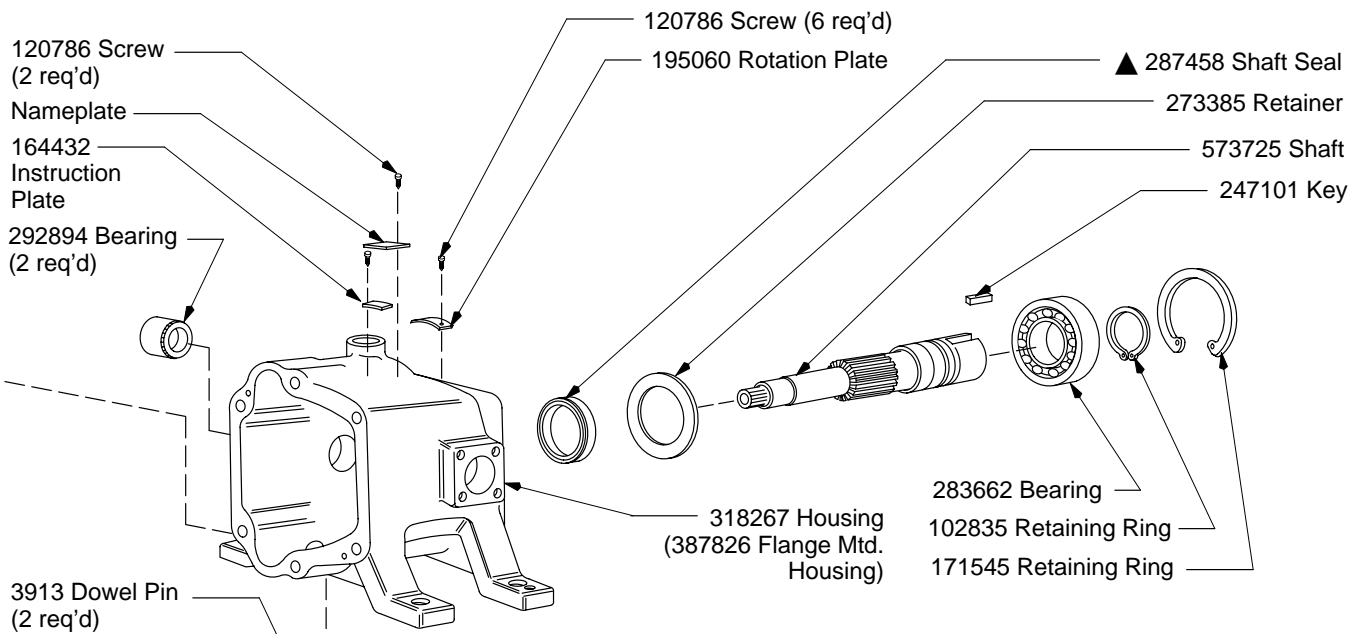
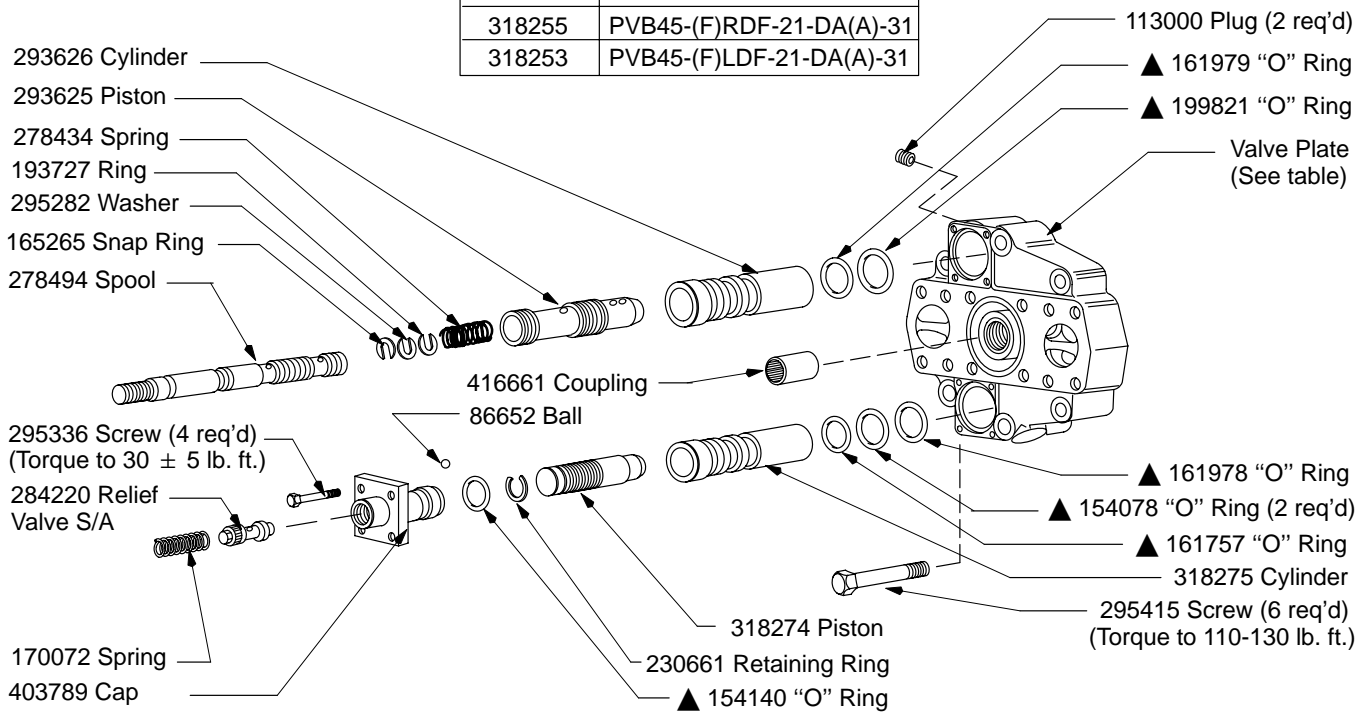
*** 573726 Auxiliary Shaft (See note)**



■ Included in 938286 Rotating Group

See Parts Drawing I-3963-S for Port Flange Data.

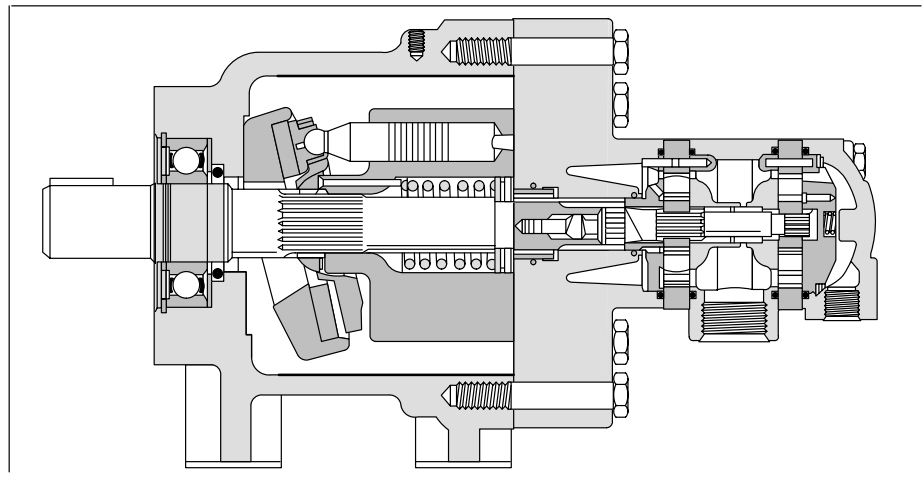
Valve Plate	Model
318255	PVB45-(F)RDF-21-DA(A)-31
318253	PVB45-(F)LDF-21-DA(A)-31



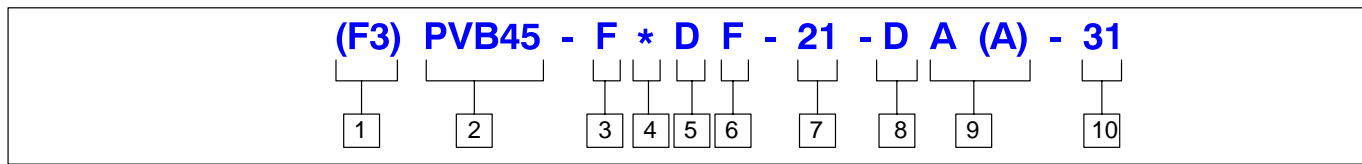
F3 Equivalent Seal Kit 919892

▲ Included in 919645 Seal Kit

□ Included in 912196 Cartridge Kit



Model Code



1 Seals

Multi-fluid capability

2 Model

Pump, variable displacement, inline series with USgpm rating @ 1800 rpm

3 Mounting

F - Foot bracket (Omit for flange mount)

4 Rotation

Viewing from shaft end
R - Right hand (CW)
L - Left hand (CCW)

5 Swash Plate Movement

D - Both sides of center

6 Port Option

4-bolt flanged ports

7 Pump Design

8 Control Type

Control stem servo

9 Compensator Variations

A - Manual stem servo with auxiliary control pump
AA- Manual stem servo with auxiliary control pump and replenishing pump

10 Control Design Number

For satisfactory service life of these components, use full flow filtration to provide fluid which meets ISO cleanliness code 16/13 or cleaner. Selections from pressure, return, and in-line filter series are recommended.

Printed in U.S.A.