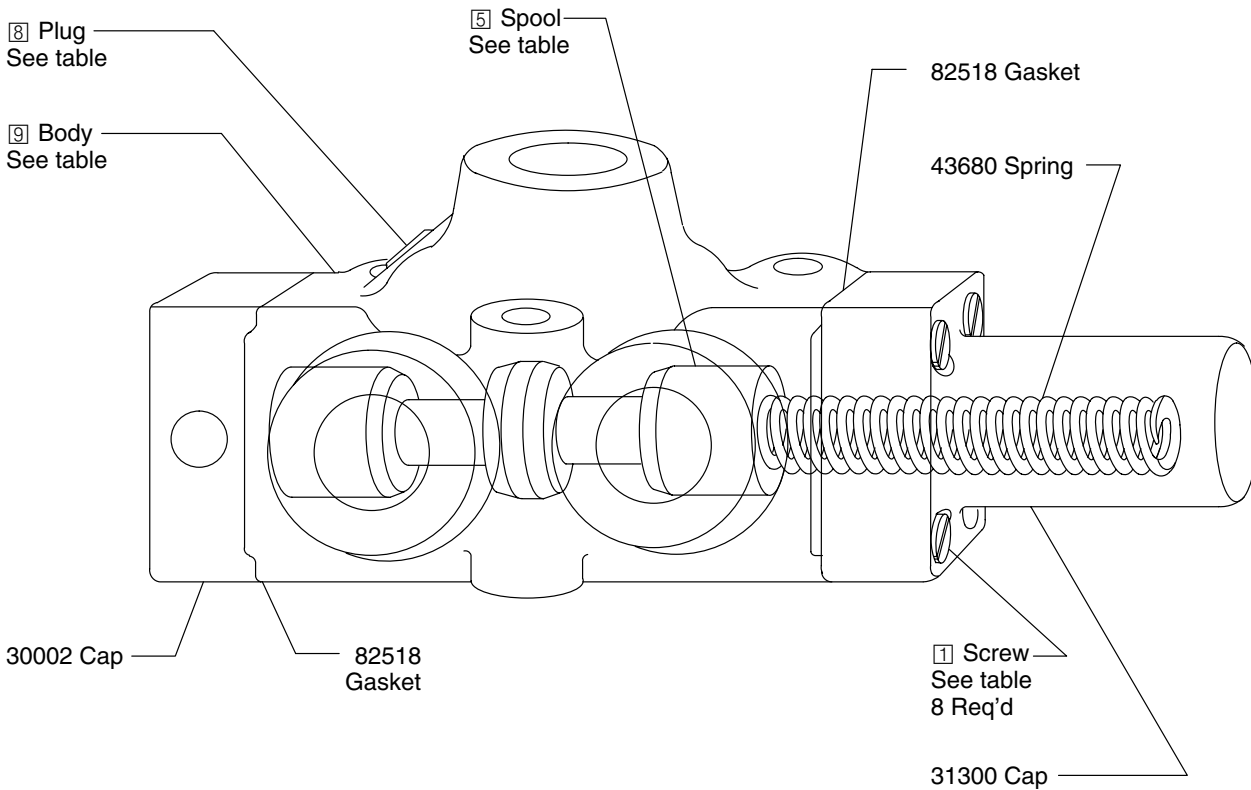


Dirctional Controls



Pilot Operated, 4-Way Directional Control Valves

C2-400-S8 C2-1400-S8



Part Letter And Name	C2-420-S8	C2-440-S8	C2-480-S8	C2-482-S8	C2-1420-S8
1 Screw	1072	1072	1072-A	1072-A	1072
5 Spool	301-X	301-X	3020	3020	29261
8 Plug	7075	7075	—	—	—
9 Body	423-X	298-X	3018	10200	6370