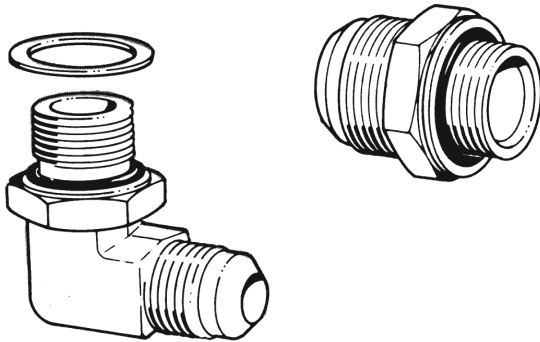


# Metric Fittings



**Typical Application:** Used in applications to adapt connections and tubing to male swivel SAE 37° flare.

**Sealing Method:** Metric Tapered pipe thread, or o-ring or 37° flare.

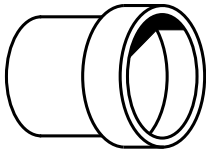
**Vibration Rating:** Fair resistance.

**Material:** Carbon steel – SAE 12L14

**Plating:** Zinc with yellow dichromate finish.

**Advantages:** Provides an adapter to convert metric ports to 37° allowing the use of standard hose and end fittings. Also metric tubing that can be flared can be adapted to a standard 37° SAE connection.

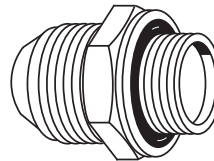
## Sleeve 3-Piece Metric (Ref. SAE No. 070115)



TUBE O.D. (IN) SIZE	TUBE O.D. (MM) SIZE	CATALOG NUMBER
1/4	6MM	C5165x4x6MM
5/16	8MM	C5165x5x8MM
3/8	10MM	C5165x6x10MM
1/2	12MM	C5165x8x12MM
5/8	14MM	C5165x10x14MM
5/8	15MM	C5165x10x15MM
5/8	16MM	C5165x10x16MM
3/4	18MM	C5165x12x18MM
7/8	20MM	C5165x14x20MM
7/8	22MM	C5165x14x22MM
1	25MM	C5165x16x25MM
1-1/4	30MM	C5165x20x30MM
1-1/4	32MM	C5165x20x32MM
1-1/2	38MM	C5165x24x38MM

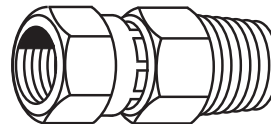
Adapts standard JIC Flare-Twin® fittings for use with metric tubing.

## Male JIC 37° To Male Metric Straight Thread Connector



TUBE O.D.	MALE METRIC THREAD	CATALOG NUMBER
1/4	M10x1.0	MC5315x4x10
1/4	M12x1.5	MC5315x4x12
1/4	M14x1.5	MC5315x4x14
3/8	M14x1.5	MC5315x6x14
3/8	M16x1.5	MC5315x6x16
1/2	M18x1.5	MC5315x8x18
1/2	M22x1.5	MC5315x8x22
5/8	M20x1.5	MC5315x10x20
3/4	M22x1.5	MC5315x12x22
3/4	M27x2.0	MC5315x12x27
1	M33x2.0	MC5315x16x33
1-1/4	M42x2.0	MC5315x20x42

## Female JIC 37° Swivel To Male JIS Metric Taper Pipe Thread

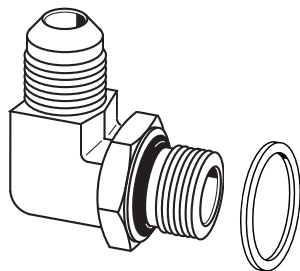


TUBE O.D.	JIS TAPER PIPE THREAD	CATALOG NUMBER
1/4	M10x1.0	M9700x4x6
5/16	M12x1.5	M9700x5x8
3/8	M14x1.5	M9700x6x10
1/2	M16x1.5	M9700x8x12
5/8	M20x1.5	M9700x10x14
3/4	M24x1.5	M9700x12x20
1	M27x2.0	M9700x16x25
1-1/4	M36x2.0	M9700x20x32

**NOTE:** Multiply millimeters (mm) by 0.03937 to obtain inches.

# Metric Fittings

## Male JIC 37° To Male Metric Straight Thread 90° Elbow



TUBE O.D.	MALE METRIC THREAD	CATALOG NUMBER
1/4	M10x1.0	MC5515x4x10
1/4	M12x1.5	MC5515x4x12
3/8	M14x1.5	MC5515x6x14
3/8	M16x1.5	MC5515x6x16
1/2	M18x1.5	MC5515x8x18
1/2	M22x1.5	MC5515x8x22
5/8	M18x1.5	MC5515x10x18
5/8	M20x1.5	MC5515x10x20
5/8	M22x1.5	MC5515x10x22
3/4	M22x1.5	MC5515x12x22
3/4	M27x2.0	MC5515x12x27
1	M33x2.0	MC5515x16x33

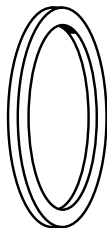
## Metric O-Ring



**Material:** Buna-N 90 Durometer  
**Temperature Range:** -40°F to +250°F (-40°C to + 121°C)  
 (See page 247 for O-ring compound and application chart)

METRIC THREAD O.D. (MM)	CATALOG NUMBER
10	M7629x10
12	M7629x12
14	M7629x14
16	M7629x16
18	M7629x18
20	M7629x20
22	M7629x22
27	M7629x27
33	M7629x33
42	M7629x42

## Metric Retaining Ring



**Material:** Steel

METRIC THREAD O.D. (MM)	CATALOG NUMBER
10	M7630x10
12	M7630x12
14	M7630x14
16	M7630x16
18	M7630x18
20	M7630x20
22	M7630x22
27	M7630x27
33	M7630x33
42	M7630x42

**NOTE:** Multiply millimeters (mm) by 0.03937 to obtain inches.