

VICKERS®

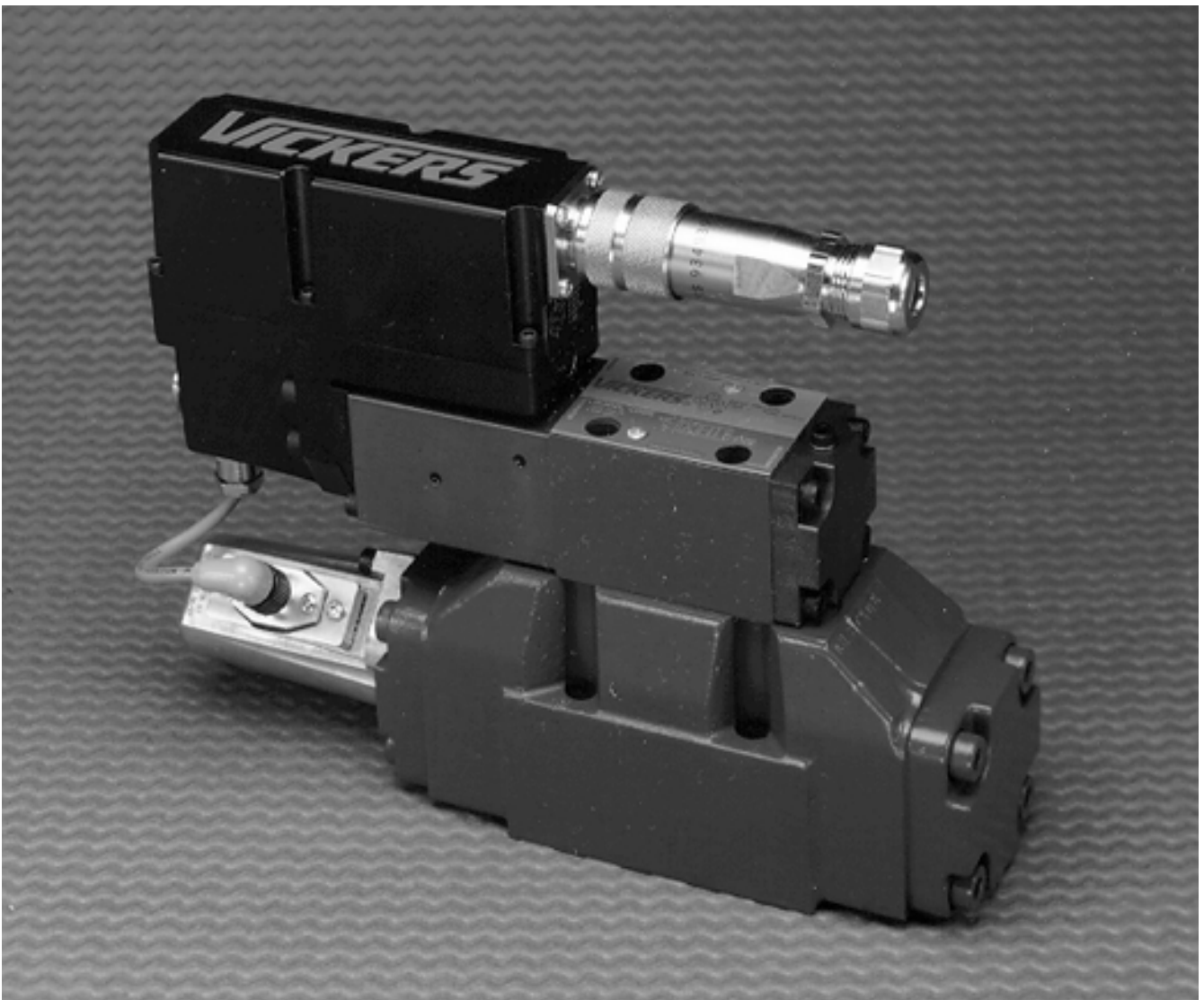
Proportional Valves




Proportional Two-Stage Directional Valves

KBH5V-5/7, 10 Series

Pressures to 350 bar (5000 psi)



This product has been designed and tested to meet specific standards outlined in the European Electromagnetic Compatibility Directive (EMC) 89/336/EEC, amended by 91/263/EEC, 92/31/EEC and 93/68/EEC, article 5. For instructions on installation requirements to achieve effective protection levels, see this leaflet and the Installation Wiring Practices for Vickers Electronic Products leaflet 2468. Wiring practices relevant to this Directive are indicated by  Electromagnetic Compatibility (EMC).

5071.04/EN/1197/A

VICKERS

Introduction

General Description

Vickers proportional valves shown in this catalog are suitable for working pressures up to 350 bar (5000 psi) and flow rates to 200 l/min (53 USgpm).

They are designed to provide a controlled oil flow in proportion to a command signal, with spool position feedback to provide accurate control. Zero lapped spools are available for closed loop control applications and hydrostats are available for load compensation with size 7 valves.

KBHDG5V-5/7

A range of proportional directional valves with control amplifiers built directly on, and prewired to, the valves. Factory-set adjustments of gain, spool deadband compensation, and offset ensure high valve-to-valve reproducibility.

The only electrical inputs required are power supply (24V) and a voltage command signal of $\pm 10V$. The amplifier is housed in a robust metal enclosure, sealed against ingress of water and other fluids. Electrical connections are via a standard 7-pin plug.

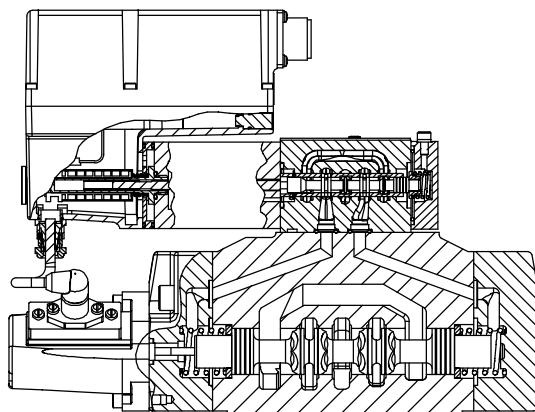
A spool position monitor point allows the function of the valve to be electrically monitored. Ramp functions, if required, can be generated externally.

Features and Benefits

- Factory-sealed adjustments increase valve-to-valve reproducibility.
- Valve with integrated amplifier selected, ordered, delivered and installed as one performance-tested package.
- Electronic feedback LVDT ensures accurate spool position control.

- Vibration and shock tested.
- Standard 24V DC supply with wide tolerance band.
- Wide range of spool and flow rate options.
- Standard $\pm 10 V$ DC command signals.
- Installation wiring reduced and simplified.
- Standard 7-pin connector.
- Simple valve removal and replacement for service.
- Supported by auxiliary function modules.
- Full CE electromagnetic compatibility.
- IP67 environmental protection rating.
- Optional valve enable function.
- Optional pilot pressure reducer.

Typical Section View

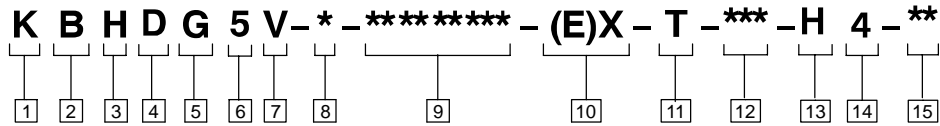


KBHDG5V-7, 10 Design

Contents

Introduction	B.2
Features and Benefits	B.2
Typical Section	B.2
Model Code	B.4
Spool Data	B.5
Functional Symbol	B.5
Operating Data	B.6
Pressures and Flow Rates	B.7
Performance Curves	
Power Capacity Envelope	B.9
Pressure Gain	B.9
Frequency Response	B.9
Flow Gain	B.10
Installation Dimensions	
KBHDG5V-5	B.11
KBHDG5V-7	B.11
Mounting Surfaces and Subplates	
General Description	B.12
Mounting Surface Interface (size 05)	B.12
Mounting Surface Interface (size 07)	B.13
Subplate Installation Dimensions	B.13
Electrical Information	B.14
Typical Connection Arrangements	B.15
Application Data	
Fluid Cleanliness	B.16
Hydraulic Fluids	B.16
Installation	B.16
Mounting Bolt Kits	B.16
Seal Kits	B.16
Plugs	B.16
Extension Cable	B.16
Service Information	B.16

Model Code



1 Valve type

K – Proportional valve

2 Integral amplifier

B – Integral amplifier “B” series

3 Feed back arrangement

H – From pilot and main stages

4 Control type

D - Directional valve

5 Mounting

G – Subplate mounted

6 Operation

5 – Solenoid controlled, pilot operated

7 Pressure rating

V – 310 bar (4500 psi) Size 05
– 350 bar (5000 psi) Size 07

8 Interface

ISO 4401

5 – Size 05

7 – Size 07



Warning

Valves with integral amplifiers are supplied with or without the metal 7-pin plug. The Vickers plug, part no. 934939, must be correctly fitted to ensure that the EMC rating and IP67 rating are achieved. The plug retaining nut must be tightened with a torque of 2-2,5 Nm (1.5-2.0 lbf ft) to effect a proper seal.

9 Spool type, flow rating and metering

See “Functional Symbol” on page B.5. $\Delta p = 5$ bar (72 psi) per metering flow path, e.g. B to T.

Symmetric spools

For KBHHDG5V-5 valves:

2C100N – 100 L/min (26 US gpm)

33C80N – 80 L/min (21 US gpm)

5C85N – 85 L/min (22 US gpm)

For KBHHDG5V-7 valves:

2C200N – 200 L/min (52 US gpm)

33C160N – 160 L/min (42 US gpm)

5C200N – 200 L/min (52 US gpm)

Asymmetric spools

First figure (**N) is flow rating P-A, or A-T (“A” port flow); last figure (N**) is flow rating P-B, or B-T (“B” port flow)

For KBHHDG5V-5 valves:

2C70N45 – 70 L/min (18.5 US gpm), “A” port flow
45 L/min (11.9 US gpm), “B” port flow

33C65N40 – 65 L/min (17.2 US gpm), “A” port flow
40 L/min (10.6 US gpm), “B” port flow

For KBHHDG5V-7 valves:

2C150N85 – 150 L/min (40 US gpm), “A” port flow
85 L/min (22.4 US gpm), “B” port flow

33C130N65 – 130 L/min (33.3 US gpm), “A” port flow
65 L/min (17.2 US gpm), “B” port flow

For actual maximum flows refer to power capacity envelopes, page B.9.

10 Pilot supply ▲

Blank–Internal-no reducer

E – External (no reducer)

X – Internal (through integral reducer)

EX– External (through integral reducer)

▲ See section on maximum pressures (pages B.7 & B.8) for when pilot reducer must be used.

11 Pilot drain

T – Internal

Omit for external drain

12 Electrical connection

PC7 – 7 pin connector without plug

PE7 – 7 pin connector with plug

PH7 – As PE7 but with pin “C” used for enable signal

PR7 – As PC7 but with pin “C” used for enable signal

13 Coil rating

H – 24 VDC amplifier supply

14 Port T pressure limit rating

4 – 50 bar (725 psi) (for internal pilot drain option only, item 11 above)

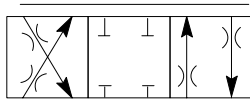
15 Design number

10 – 10 series

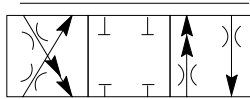
Spool Data

Spool Symbols

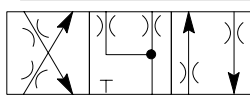
Available Spools for KBHDG5V



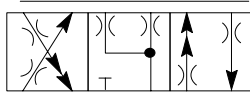
Spool type 2C**N



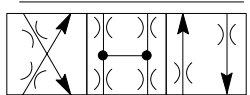
Spool type 2C**N**



Spool type 33C**N



Spool type 33C**N**



Spool type 5C**N
(zero lapped)

Spool Types and Flow Ratings

Symmetric Spools

Base line pressure drop $\Delta p = 5$ bar (75 psi) per metering flow path, e.g. B to T. For actual maximum flow refer to power capacity envelope curves.

Spool code	Spool symbol	Flow rating
For KBHDG5V-5 valves:		
2C100N	2C	100 L/min (26 USgpm)
33C80N	33C	80 L/min (21 USgpm)
5C85N	5C	85 L/min (22 USgpm)
For KBHDG5V-7 valves:		
2C200N	2C	200 L/min (52 USgpm)
33C160N	33C	160 L/min (42 USgpm)
5C200N	5C	200 L/min (52 USgpm)

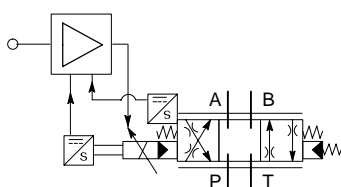
Asymmetric Spools

Figure preceding metering type designator, "N" e.g. 2C**N) is flow rating P-A, or A-T ("A" port flow): Figure after "N" (N**) is flow rating P-B, or B-T ("B" port flow).

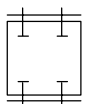
Spool code	Spool symbol	Flow rating
For KBHDG5V-5 valves:		
2C70N45	2C	70 L/min (18.5 USgpm) "A" port flow 45 L/min (11.9 USgpm) "B" port flow
33C65N40	33C	65 L/min (17.2 USgpm) "A" port flow 40 L/min (10.6 USgpm) "B" port flow
For KBHDG5V-7 valves:		
2C150N85	2C	150 L/min (40 USgpm) "A" port flow 85 L/min (22.4 USgpm) "B" port flow
33C130N65	33C	130 L/min (33.3 USgpm) "A" port flow 65 L/min (17.2 USgpm) "B" port flow

Note: Valves with 5C spools are factory set so that with no command signal the pressure in port B is at least twice that in port A (blocked ports).

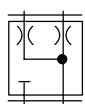
Functional Symbol



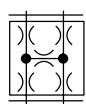
Spool Types



Type 2

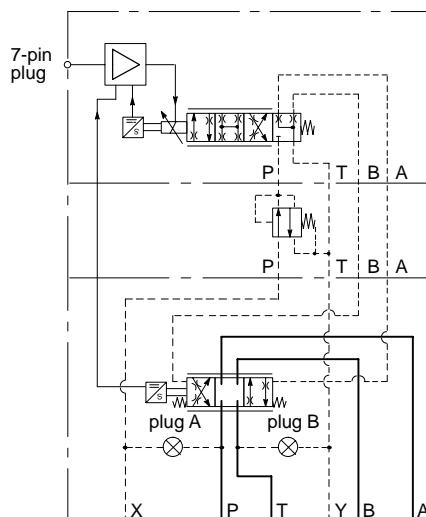


Type 33



Type 5

Detailed symbol



Application Notes

A. Main-Spool Options

Spools shown are meter-in/meter-out types. Center-condition options are types 2, 33 and 5.

B. Internally Piloted Models

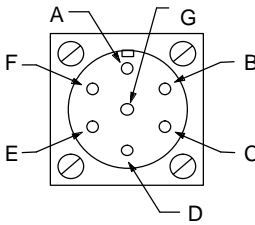
Differ from detailed symbols above by omission of plug A and the blocking of port X by the mating surface.

C. Internally Pilot Drain Models

Differ from detailed symbols above by omission of plug B and blocking of port Y by the mating surface.

Operating Data

Data is typical with fluid at 36 cSt (168 SUS) and 50°C (122°F).

Power supply	24V DC (21V to 36V including 10% peak-to-peak max. ripple) max current 3A																		
Command signal Input impedance Common mode voltage to pin B	0 to +10V DC, or 0 to -10V DC, or -10 V to +10 V DC 47 kΩ 18V (max)																		
Valve enable signal for model codes PH7 & PR7 Enable Disable Input impedance	>8.5V (36V max) <6.5V 10 kΩ																		
7-pin plug connector  View of pins of fixed half	<table border="1"> <thead> <tr> <th>Pin</th> <th>Description</th> </tr> </thead> <tbody> <tr> <td>A</td> <td>Power supply positive</td> </tr> <tr> <td>B</td> <td>Power 0V</td> </tr> <tr> <td>C</td> <td>Command/Monitor 0V (PE7 & PC7)</td> </tr> <tr> <td>C</td> <td>Valve enable (PH7 & PR7)</td> </tr> <tr> <td>D</td> <td>Command signal (+)-non-inverting input</td> </tr> <tr> <td>E</td> <td>Command signal (-)-inverting input</td> </tr> <tr> <td>F</td> <td>Monitor output</td> </tr> <tr> <td>G</td> <td>Protective ground</td> </tr> </tbody> </table>	Pin	Description	A	Power supply positive	B	Power 0V	C	Command/Monitor 0V (PE7 & PC7)	C	Valve enable (PH7 & PR7)	D	Command signal (+)-non-inverting input	E	Command signal (-)-inverting input	F	Monitor output	G	Protective ground
Pin	Description																		
A	Power supply positive																		
B	Power 0V																		
C	Command/Monitor 0V (PE7 & PC7)																		
C	Valve enable (PH7 & PR7)																		
D	Command signal (+)-non-inverting input																		
E	Command signal (-)-inverting input																		
F	Monitor output																		
G	Protective ground																		
Electromagnetic compatibility (EMC): Emission (10 V/m) Immunity (10 V/m)	EN 50081-2 EN 50082-2																		
Threshold command voltage (minimum voltage for minimum flow)	0V – 5C Spools 0.25V– 2C & 33C Spools																		
Monitor signal (pin F) Output impedance	± 10V DC for full spool stroke 10kΩ																		
Power stage PWM frequency	10 kHz nominal																		
Step input response, with flow through P-A-B-T, Δp=5 bar (72 psi) per metering path, e.g. P-A Required flow step:	Time to reach 90% of required step:																		
KBHDG5V-5 0 to 100%	24 ms																		
100% to 0	23 ms																		
+90 to -90%	35 ms																		
KBHDG5V-7 0 to 100%	24 ms																		
100% to 0	23 ms																		
+90 to -90%	36 ms																		
Reproducibility, valve-to-valve (at factory settings): Flow at 100% command signal	≤ 5%																		
Hysteresis with flow through P-A-B-T Δp=5 bar (72 psi) per metering path (P-A or B-T)	< 1%																		
Protection: Electrical Environmental	Reverse polarity protected IEC 144, Class IP67																		
Ambient air temperature range for full performance Oil temperature range for full performance	0° C to 70° C (32° F to 158° F) 0° C to 70° C (32° F to 158° F)																		
Minimum temperature at which valves will work at reduced performance	-20° C (-4° F)																		
Storage temperature range	-25° C to +85° C (-13° F to +185° F)																		

Relative duty factor	Continuous rating (ED = 100%)
Mass: KBHDG5V-5	10,15 kg (22.4 lb) approx.
KBHDG5V-7	11,4 kg (25.1 lb) approx.
Valves without pressure reducer (no "X" in model code)	
KBHDG5V-5	8,85 kg (19.5 lb) approx.
KBHDG5V-7	10,1 kg (22.2 lb) approx.
Supporting products:	
Auxiliary electronic modules (DIN -rail mounting):	
EHA-CON-201-A2* signal converter	See catalog GB 2410A
EHD-DSG-201-A-1* command signal generator	See catalog GB 2470
EHA-RMP-201-A-2* Ramp generator	See catalog GB 2410A
EHA-PSU-201-A-10 Power supply	See catalog GB 2410A
EHA-PID-201-A-20 PID controller	See catalog GB 2427

Pressures and Flow Rates

Maximum pressures, bar (psi)

Valves with pressure reducer


Model	Pilot pressure source [⊕]	Pilot drain connection	P Port	A&B Ports	T Port	X Port [⊖]	Y Port
KBHDG5V-5	External	External	310 (4500)	310 (4500)	210 (3000)	210 (3000)	50 (700)
		Internal*	310 (4500)	310 (4500)	50 (700)	310 (4500)	50 (700)
	Internal	External	310 (4500)	310 (4500)	100 (1500)	310 (4500)	50 (700)
		Internal*	310 (4500)	310 (4500)	50 (700)	310 (4500)	50 (700)
KBHDG5V-7	External	External	350 (5000)	350 (5000)	350 (5000)	350 (5000)	50 (700)
		Internal*	350 (5000)	350 (5000)	50 (700)	350 (5000)	50 (700)
	Internal	External	350 (5000)	350 (5000)	350 (5000)	350 (5000)	50 (700)
		Internal*	350 (5000)	350 (5000)	50 (700)	350 (5000)	50 (700)

⊕ Minimum pilot operating pressure = 50 bar (700 psi)

* Internal drain is a non-preferred option

⊖ For pilot pressures ≤ 210 bar (3000 psi) a pilot pressure reducer is optional

For pilot pressures > 210 bar (3000 psi) a pilot pressure reducer must be used

 Unused pilot port: Maximum pressure as shown

Maximum pressures, bar (psi)
Valves without pressure reducer

Model	Pilot pressure source [⊕]	Pilot drain connection	P Port	A&B Ports	T Port	X Port [⊙]	Y Port
KBHDG5V-5	External	External	310 (4500)	310 (4500)	210 (3000)	210 (3000)	50 (700)
		Internal*	210 (3000)	310 (4500)	50 (700)	210 (3000)	50 (700)
	Internal	External	210 (3000)	310 (4500)	210 (3000)	210 (3000)	50 (700)
		Internal*	310 (4500)	310 (4500)	50 (700)	210 (3000)	50 (700)
KBHDG5V-7	External	External	350 (5000)	350 (5000)	350 (5000)	210 (3000)	50 (700)
		Internal*	350 (5000)	350 (5000)	50 (700)	210 (3000)	50 (700)
	Internal	External	210 (3000)	350 (5000)	350 (5000)	210 (3000)	50 (700)
		Internal*	210 (3000)	350 (5000)	50 (700)	210 (3000)	50 (700)

⊕ Minimum pilot operating pressure = 50 bar (700 psi)

* Internal drain is a non-preferred option

⊙ For pilot pressures ≤ 210 bar (3000 psi) a pilot pressure reducer is optional

For pilot pressures > 210 bar (3000 psi) a pilot pressure reducer must be used

Unused pilot port: Maximum pressure as shown

Minimum recommended flow rates

For spool types 2C and 33C

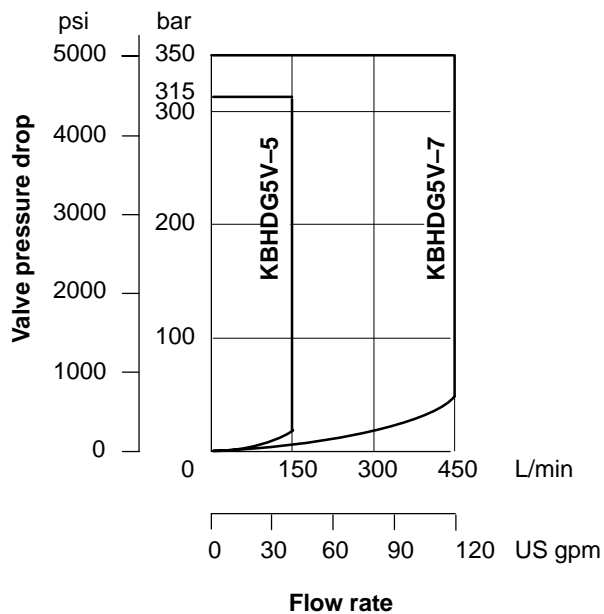
Δp = 10 bar (145 psi) for looped flow P-A-B-T (or P-B-A-T)

Valve Size/Spool Code	Min. Flow Rate L/min	In ³ /min
KBHDG5V-5-2C100N	0,5	30
KBHDG5V-5-33C80N	0,5	30
KBHDG5V-7-2C200N	1,0	60
KBHDG5V-7-33C160N	1,0	60

Performance Curves

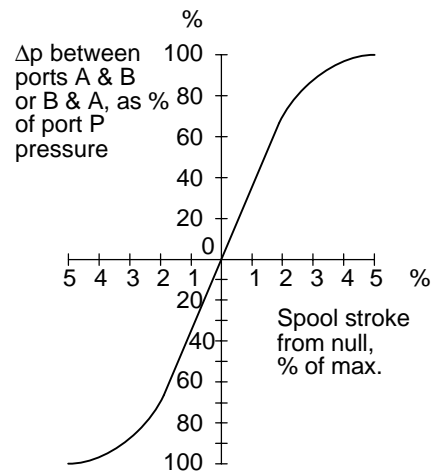
Power Capacity Envelope

Flow through P-A-B-T or P-B-A-T



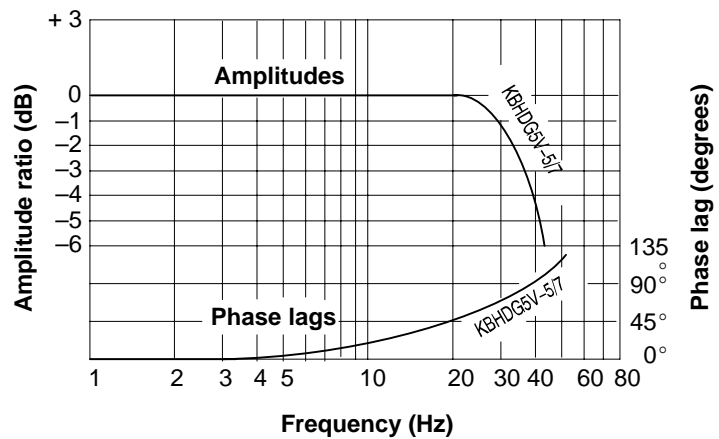
Pressure Gain

("5C" spools only)



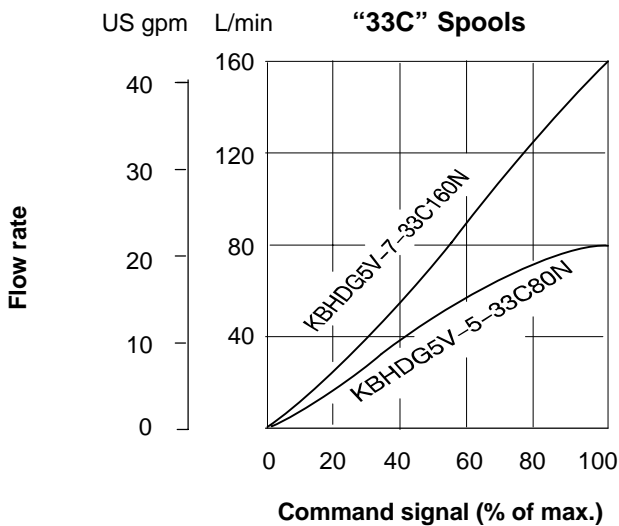
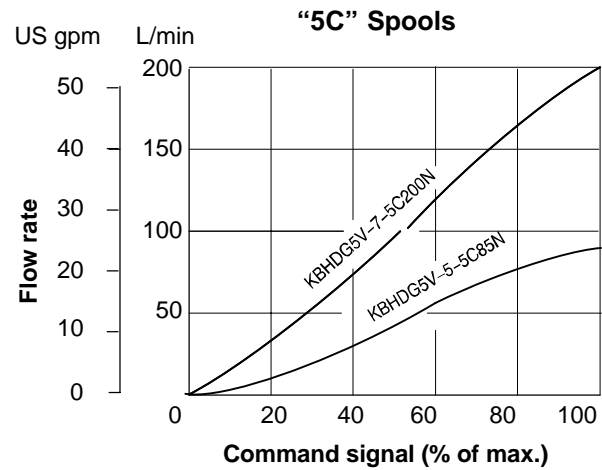
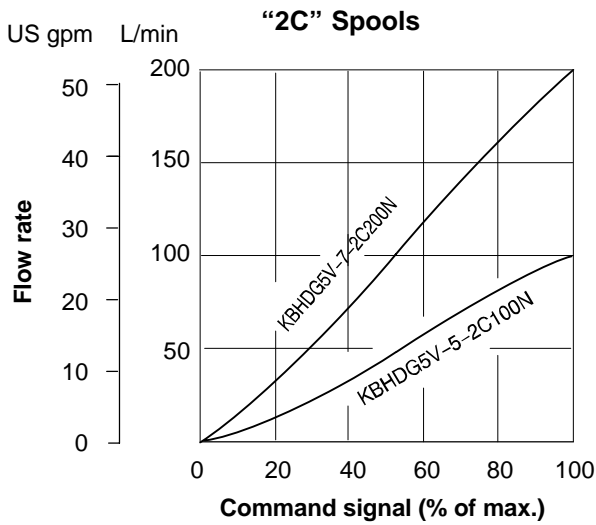
Frequency Response, Typical

For an amplitude of $\pm 25\%$ of max. stroke (center-to-offset) about the 50% position



Flow gain

At $\Delta p = 5$ bar (72 psi) per metering path (e.g. P-A), with flow through P-A-B-T or P-B-A-T. Percentage command signals applicable for positive and negative values of command signal.



At other Δp values, flow rates approximate to:

$$Q_x = Q_D \sqrt{\frac{\Delta p_x}{\Delta p_D}}$$

where Q_D = Datum flow rate
 Δp_D = Pressure drop at datum flow rate
 Δp_x = Required Δp

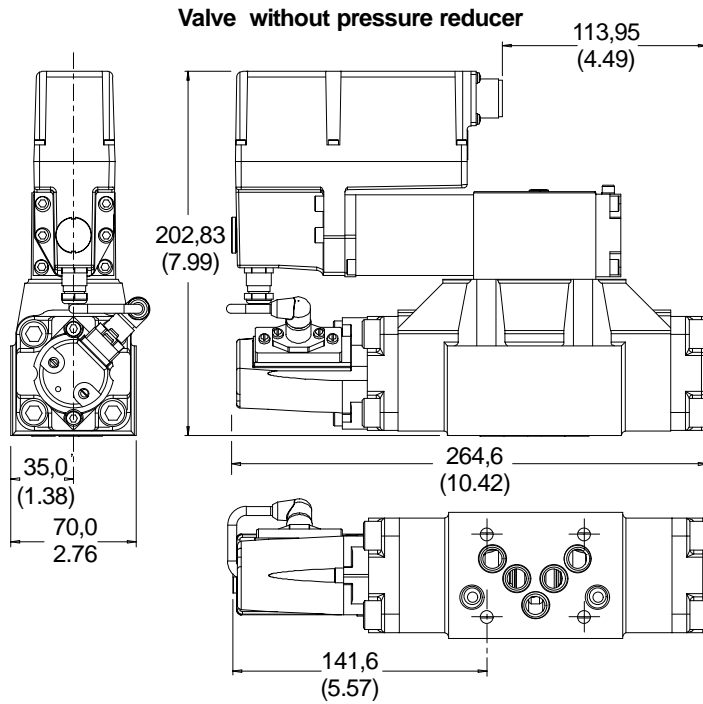
Limited by valve power capacity.
 Refer to curves on page B.9.

Installation Dimensions

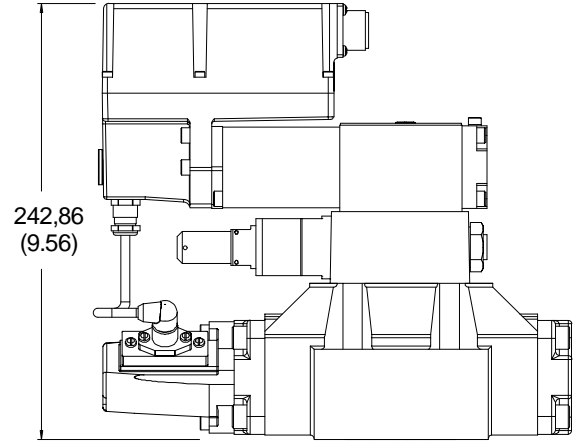
KBHDG5V-5

mm (inch)

3rd angle projection 



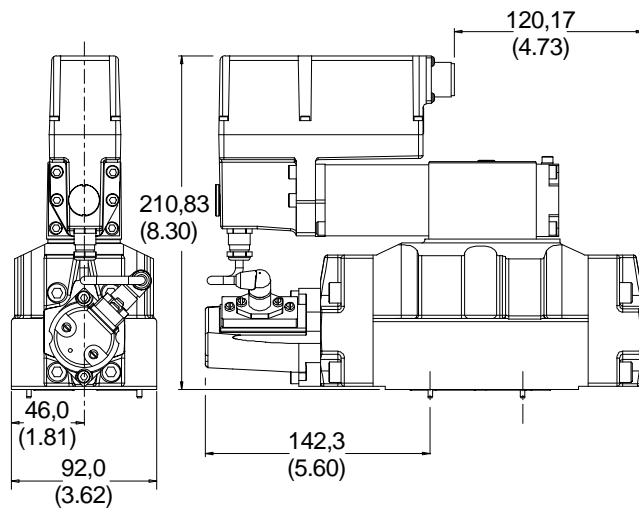
Valve with pressure reducer



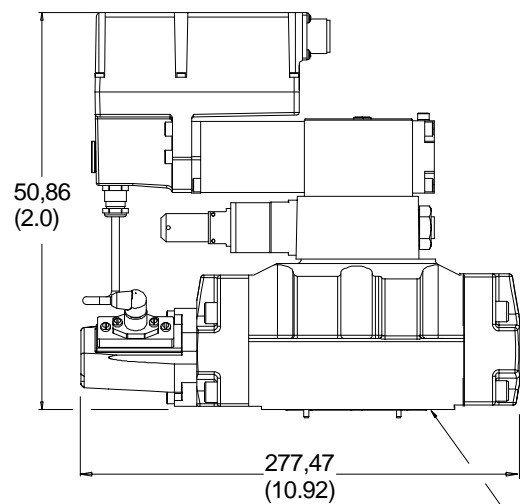
Mounting surface, seals supplied. For mating surface dimensions and subplate options, see page B.13 (size 05 with additional X and Y ports). For mounting bolt options, see page B.16.

KBHDG5V-7

Valve without pressure reducer



Valve with pressure reducer



Mounting surface, seals supplied. For mating surface dimensions and subplate options, see page B.13. For mounting bolt options, see page B.16.

Subplates and Mounting Surfaces

General Description

When a subplate is not used, a machined pad must be provided for valve mounting. Pad must be flat within 0,0127 mm (.0005 inch) and smooth within 1,6 μm (63 microinch). Mounting bolts, when provided by customer, should be ISO 898 class 12.9 or better.

Bolt Kits See page B.16.

Dimensional Tolerances

Dimensional tolerance on interface drawings is $\pm 0,2$ mm (± 0.008 ") except where otherwise stated. ISO 4401 specifies inch conversion to ± 0.01 ".

Conversion from Metric

ISO 4401 gives dimensions in mm. Inch conversions are accurate to 0.01" unless otherwise stated.

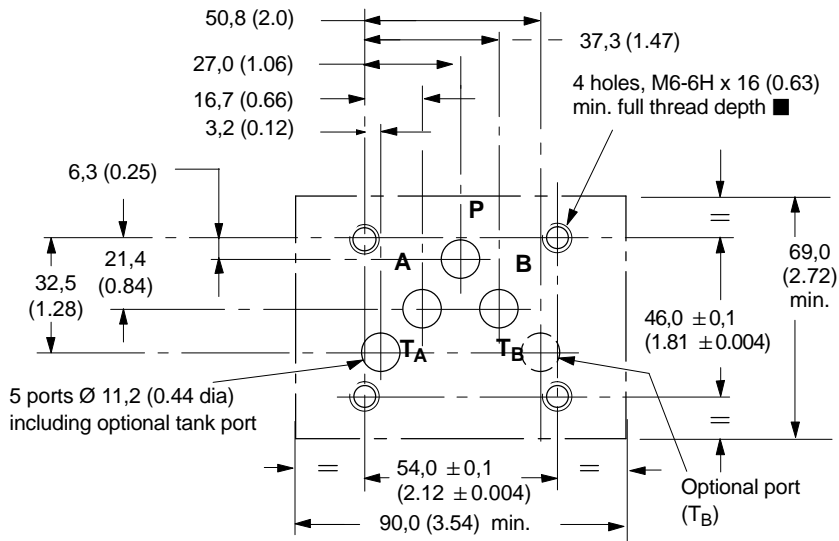
Mounting Bolt Tappings

ISO 4401 gives metric thread tappings. Alternate UNC tappings are Vickers recommendations that allow these plates and associated valves to be used up to their maximum pressures, when using Vickers recommended bolt kits, or bolts of an equivalent strength. It is recommended that Customer's own manifold blocks for UNC bolts should be tapped to the minimum depths given in the footnotes.

Mounting Surface Interface to ISO 4401

Size 05

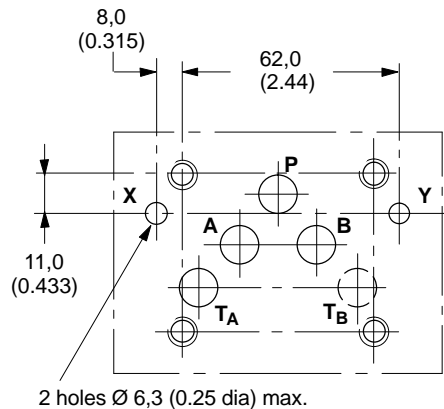
This interface conforms to: ISO 4401-05-04-0-94, ANSI/B93.7M (and NFPA) size 05, CETOP R35H4.2-05, DIN 24340 Form A10



■ $1/4$ " -20 UNC-2B optional.

Interface with Additional Pilot Ports X and Y

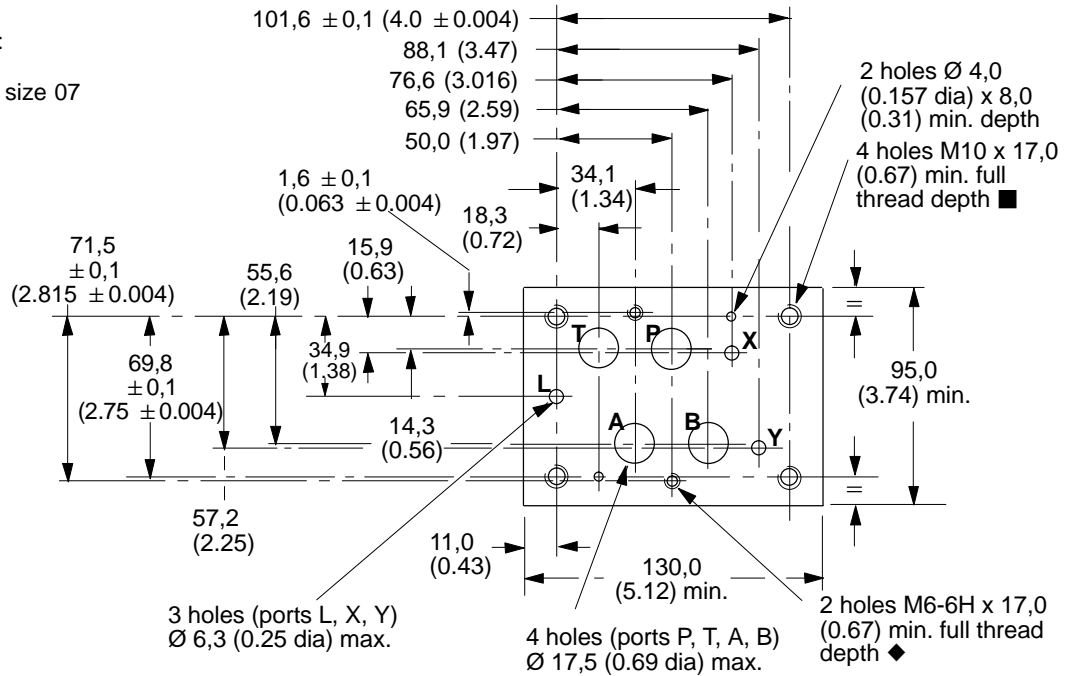
The interface conforms to Vickers standard, plus holes X and Y ISO 4401-05-05-0-94



Size 07

This interface conforms to:
 ISO 4401-07-06-0-94
 ANSI/B93.7M (and NFPA) size 07
 CETOP R35H4.3-07
 DIN 24340 Form A16

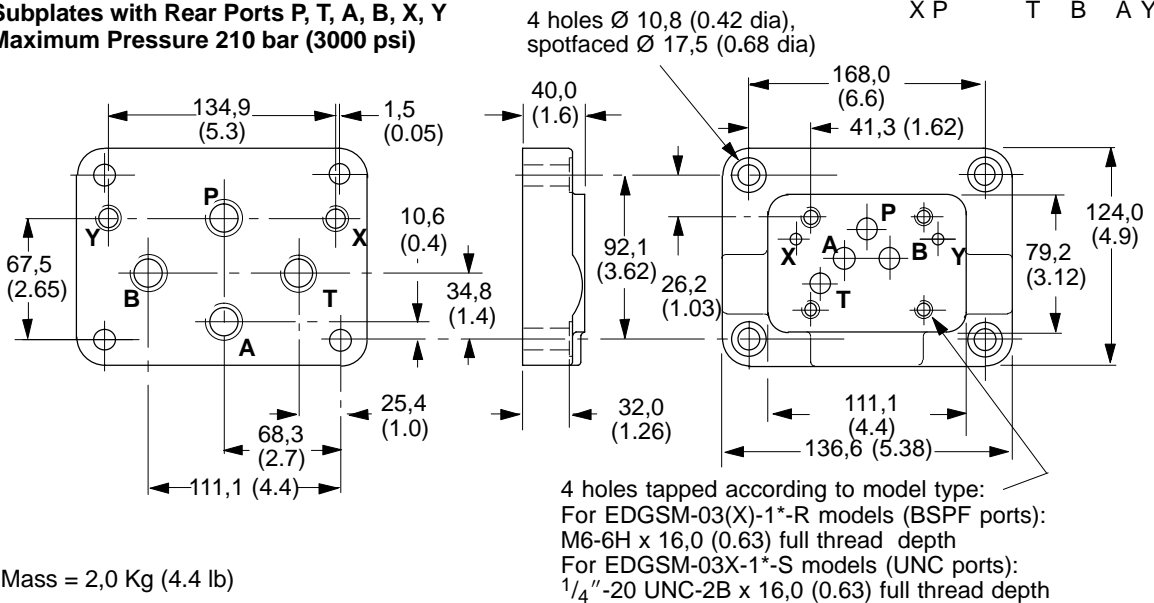
- $\frac{3}{8}$ "-16 UNC optional.
- ◆ $\frac{1}{4}$ "-20 UNC optional.



Subplates

EDGSM-03-1*-R
EDGSM-03X-1*-R
EDGSM-03X-1*-S

Subplates with Rear Ports P, T, A, B, X, Y
 Maximum Pressure 210 bar (3000 psi)



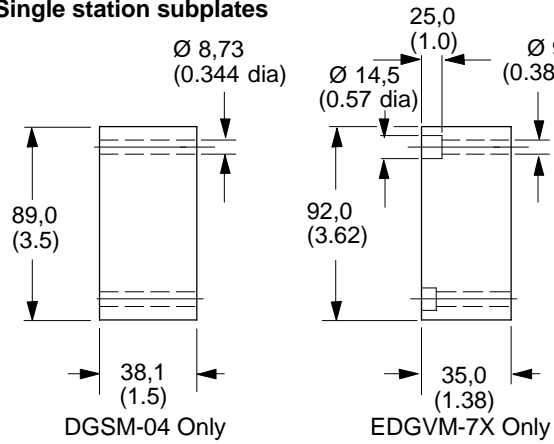
Mass = 2,0 Kg (4.4 lb)

Port Threads

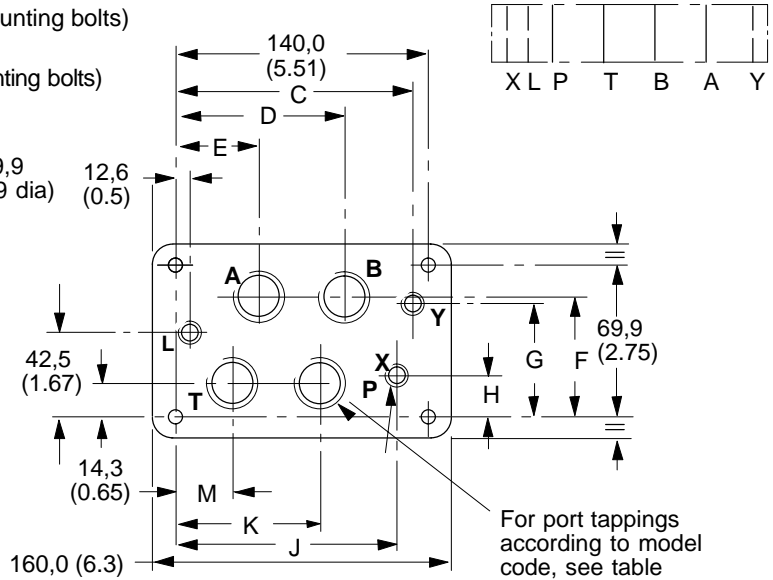
Model	Ports P, T, A, B	Ports X, Y
EDGSM-03(X)-1*-R	G $\frac{1}{2}$ " (1/2" BSPF) x 14,0 (0.55) full thread depth	G $\frac{1}{4}$ " (1/4" BSPF) x 12,2 (0.48) full thread depth
EDGSM-03X-1*-S	1 $\frac{1}{16}$ "-12 UN-2B x 16,0 (0.63) full thread depth	$\frac{9}{16}$ "-18 UNF-2B x 12,7 (0.5) full thread depth

DGSM-04-12S-2* (UNF/SAE port threads; UNC mounting bolts)
For up to 210 bar (3000 psi) Maximum Pressure

EDGVM-7X-D-1*-R (BSPF port threads; metric mounting bolts)
For up to 350 bar (5000 psi) Maximum Pressure
Single station subplates



Mass = 3,8 Kg (8.4 lb)



For port tapings according to model code, see table

Port and Bolt Threads

Model	Ports P, T, A, B	Ports L, X, Y	Mounting bolt tapping
DGSM-04-12S-2*	1 1/16" -12 UNF-2B x 19,1 (0.75) full thread depth	9/16" -18 UNF-2B x 12,7 (0.5) full thread depth	4 x 3/8" -16 UNC 2 x 1/4" -20 UNC
EDGVM-7X-D-1*-R	G3/4 (3/4" BSPF) x 16,0 (0.63) full thread depth	G1/4 (1/4" BSPF) x 12,0 (0.47) full thread depth	4 x M10 2 x M6

Model (Dimensions)	C	D	E	F	G	H	J	K	M
DGSM-04-12S-2*	121,4 (4.78)	88,4 (3.48)	44,2 (1.74)	56,6 (2.23)	54,9 (2.16)	18,3 (0.72)	121,4 (4.78)	76,7 (3.02)	32,3 (1.27)
EDGVM-7X-D-1*-R	128,6 (5.06)	93,6 (3.68)	50,6 (1.99)	55,6 (2.19)	52,0 (2.05)	15,9 (0.63)	113,6 (4.47)	79,6 (3.13)	36,6 (1.44)

Electrical Information

Electrical Block Diagram
Command Signals and Outputs

7-pin plug		Flow direction
Pin D	Pin E	
Positive	OV	P to A
OV	Negative	
U _D - U _E = Positive		P to B
Negative	OV	
OV	Positive	
U _D - U _E = Negative		

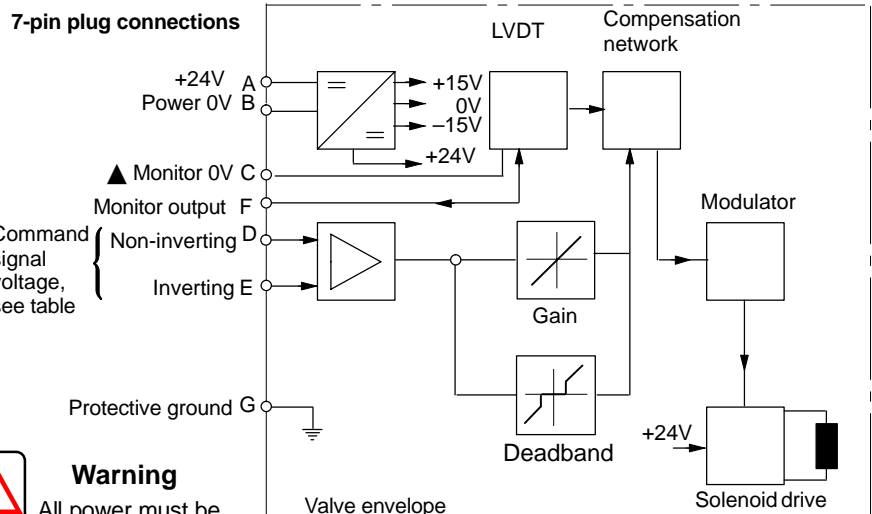
Wiring

Connections must be made via the 7-pin plug mounted on the amplifier. See page NO TAG of this leaflet and Installation and Start-up Guidelines, ML-B-9090A for cable recommendations.



Warning

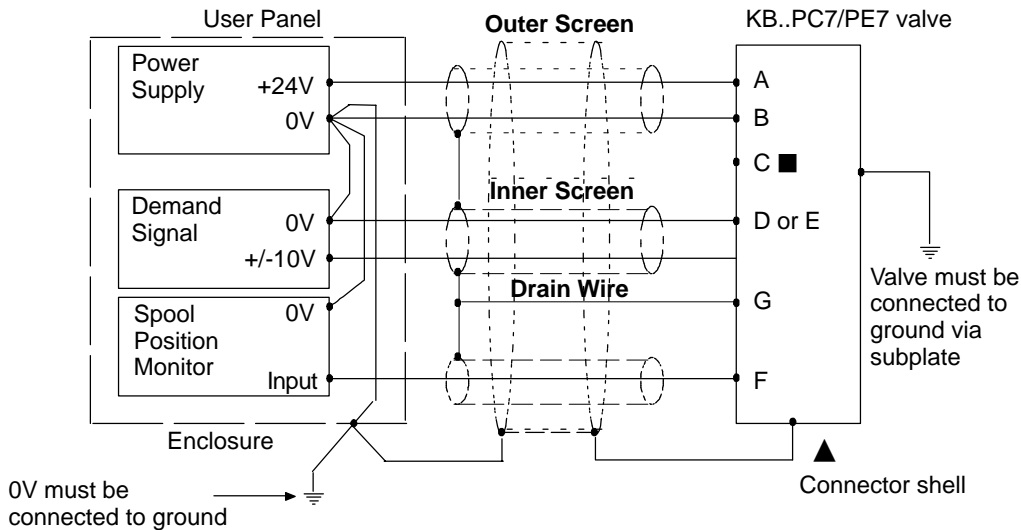
All power must be switched off before connecting or disconnecting any plugs.



▲ Note: In valves with PH7 or PR7 type electrical connection, pin C is used for a valve enable signal.

Typical Connection Arrangements

Wiring Connections



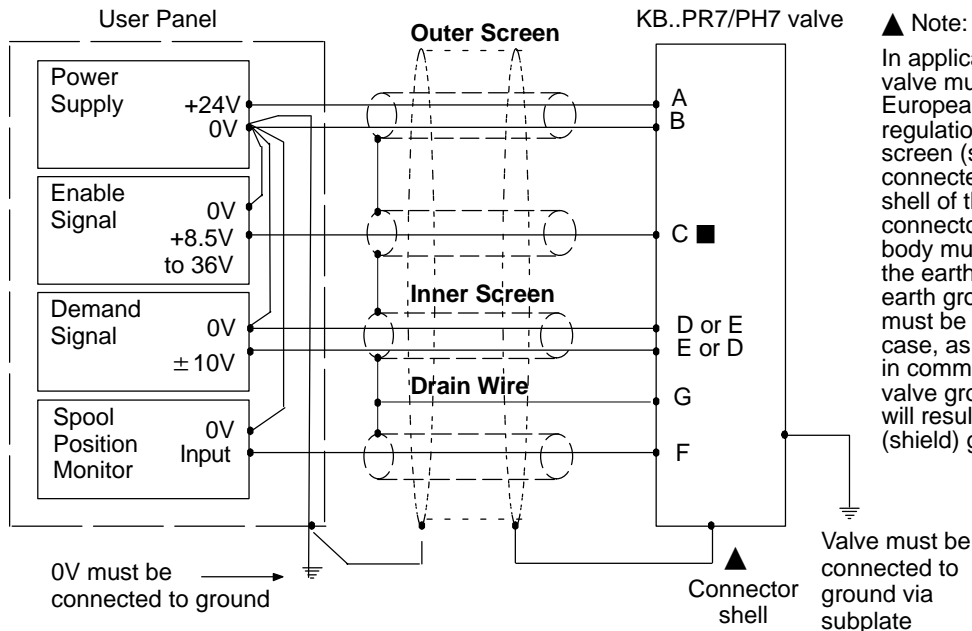
■ Spool position monitor voltage (pin F) will be referenced to the KB valve local ground. A "local ground" (pin C) is provided on PC7/PE7 versions for optional use by differential input customer supplied electronics.



WARNING

Do not ground pin C. If the local ground (pin C) is not used for differential monitor electronics, do not use. Read monitor pin F with respect to ground.

Wiring Connections for Valves with Enable Feature



▲ Note:

In applications where the valve must conform to European RFI/EMC regulations, the outer screen (shield) must be connected to the outer shell of the 7 pin connector, and the valve body must be fastened to the earth ground. Proper earth grounding practices must be observed in this case, as any differences in command source and valve ground potentials will result in a screen (shield) ground loop.



Warning

Electromagnetic Compatibility (EMC)

It is necessary to ensure that the valve is wired up as above. For effective protection the user electrical cabinet, the valve subplate or manifold and the cable screens should be connected to efficient ground points. The metal 7 pin connector part no. 934939 should be used for the integral amplifier.

In all cases both valve and cable should be kept as far away as possible from any sources of electromagnetic radiation such as cables carrying heavy current, relays and certain kinds of portable radio transmitters, etc. Difficult environments could mean that extra screening may be necessary to avoid the interference.

It is important to connect the 0V lines as shown above. The multi-core cable should have at least two screens to separate the demand signal and monitor output from the power lines.

The enable line to pin C should be outside the screen which contains the demand signal cables.

Application Data

Fluid Cleanliness

Proper fluid condition is essential for long and satisfactory life of hydraulic components and systems. Hydraulic fluid must have the correct balance of cleanliness, materials and additives for protection against wear of components, elevated viscosity and inclusion of air.

Recommendations on contamination control methods and the selection of products to control fluid condition are included in Vickers publication 9132 or 561, "Vickers Guide to Systemic Contamination Control". The book also includes information on the Vickers concept of "ProActive Maintenance". The following recommendations are based on ISO cleanliness levels at 2 µm, 5 µm and 15 µm.

For products in this catalog the recommended levels are:

0 to 70 bar (1000 psi) 18/16/13
70 + bar (1000 + psi) 17/15/12

Vickers products, as any components, will operate with apparent satisfaction in fluids with higher cleanliness codes than those described. Other manufacturers will often recommend levels above those specified.

Experience has shown, however, that life of any hydraulic components is shortened in fluids with higher cleanliness codes than those listed above. These codes have been proven to provide a long trouble-free service life for the products shown, regardless of the manufacturer.

Hydraulic Fluids

Materials and seals used in these valves are compatible with antiwear hydraulic oils, and non-alkyl-based phosphate esters. The extreme operating viscosity range is 500 to 13 cSt (2270 to 70 SUS) but the recommended running range is 54 to 13 cSt (245 to 70 SUS). For further technical information about fluids see "Technical Information" leaflet B-920 or I-286S.

Installation

The proportional valves in this catalog can be mounted in any attitude, but it may be necessary in certain demanding applications, to ensure that the solenoids are kept full of hydraulic fluid. Good installation practice dictates that the tank port and any drain port are piped so as to keep the valves full of fluid once the system start-up has been completed.

Mounting Bolt Kits

For KBHGD5V-5

BKDG01633M (metric)
BKDG01633 (inch)

For KBHGD5V-7

BKDG7 858918 (metric)
BK590724 (inch)

If not using Vickers recommended bolt kits, bolts used should be to ISO 898, 12.9 or better.

Seal Kits

KBHGD5V-5 02-350518
KBHGD5V-7 02-350519

Plugs

KBHGD5V
7-pin plug (metal) 934939
7-pin plug (plastic) 694534
(metal plug must be used for full EMC protection)

NOTE: An alternative metal connector which gives EMC protection but not IP67 rating is available from ITT-Cannon, part number CA06-COM-E-14S-A7-S.

Extension Cable

Extension Cable: Adapter for extending 7 core cable when changing from KA to KB valve and existing wiring is not long enough. Consists of a 7 pin plug, a 7 pin socket and a length of cable, fully assembled for ease of use
Extension Cable 944450

Service Information

The products from this range are preset at the factory for optimum performance; disassembling critical items would destroy these settings. It is therefore recommended that should any mechanical or electronic repair be necessary they should be returned to the nearest Vickers repair center. The products will be refurbished as necessary and retested to specification before return.

Field repair is restricted to the replacement of the seals.

Note: The feedback/solenoid assembly installed in this valve should not be disassembled.