



H061 Series High Performance Low Pressure Filter

Flows to 189 L/min (50 USgpm) 41,4 bar (600 psi)

Service Data

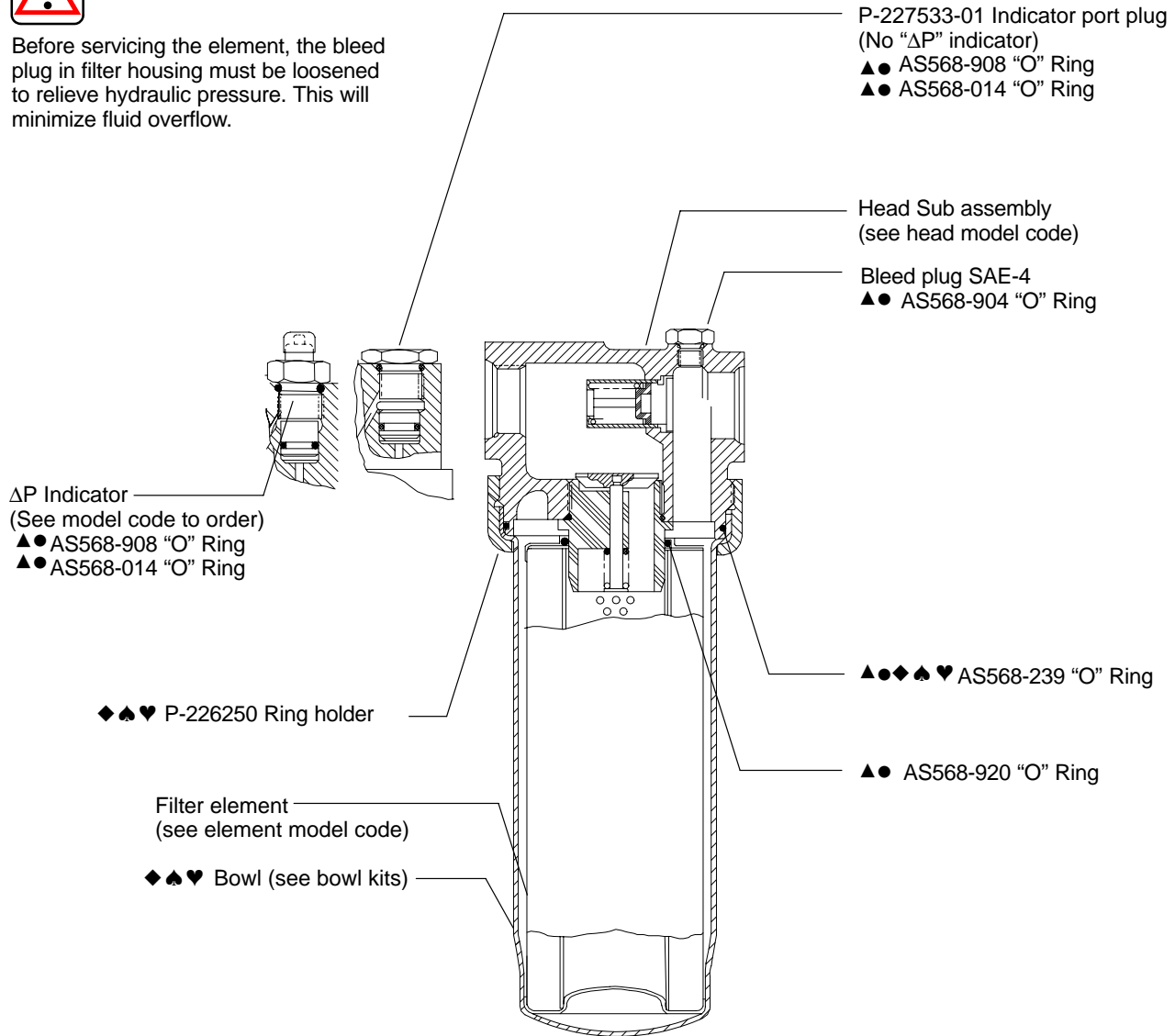
H061 Series High Performance Low Pressure Filter

Flows to 189 L/min (50 USgpm) 41,4 bar (600 psi)



CAUTION

Before servicing the element, the bleed plug in filter housing must be loosened to relieve hydraulic pressure. This will minimize fluid overflow.



P-227533-01 Indicator port plug

(No "ΔP" indicator)

▲● AS568-908 "O" Ring

▲● AS568-014 "O" Ring

Head Sub assembly
(see head model code)

Bleed plug SAE-4

▲● AS568-904 "O" Ring

ΔP Indicator
(See model code to order)

▲● AS568-908 "O" Ring

▲● AS568-014 "O" Ring

◆◆♥ P-226250 Ring holder

▲◆◆♥ AS568-239 "O" Ring

Filter element
(see element model code)

▲● AS568-920 "O" Ring

◆◆♥ Bowl (see bowl kits)

NOTE: Bowl kits contain Buna-N seals, to order Viton seals, replace **B** in part number with a **V**.

Example:

From: P-133233-01**B**, for Buna.

To: P-133233-01**V**, for Viton.

▲ Included in seal kit P-427466-1A Buna

● Included in seal kit P-427466-3A Viton

◆ Included in 4" Bowl kit P-133233-01B

♠ Included in 8" Bowl kit P-133233-02B

♥ Included in 13" Bowl kit P-133233-04B

Bowl kits contain (Bowl, "O" Ring, & Ring holder.

Head Sub Assembly Model Code

H061 * * * JN * S50

1 Filter series

H061

2 Element collapse rating

- 1 – 150 PSID (10 bar)
- 3 – 600 PSID (210 bar) (H-pak only)

3 Port options

- A** – 1.062-12 UN SAE-12 str. thd. (3/4" tube)
- B** – 1.312-12 UN SAE-16 str. thd. (1" tube)

4 Valve options

- 1 – Non-bypass
- 3 – Bypass set at 22 ± 3 PSID (1,5 bar) cracking pressure
- 4 – Bypass set at 50 ± 5 PSID (3,4 bar) cracking pressure

5 ΔP indicator & receptacle options First designator (Indicator type)

J - No ΔP Indicator

Second designator (Electrical receptacle)

N – No receptacle – Use with visual ΔP indicator only

6 Seal material

- B** – Buna-N
- V** – Viton-A

7 S50 - Head sub assembly

Element Model Code

V602 1 B 1 C 05

1 Filter element

V602 – For use with H061 series filters

2 Element collapse rating

- 1 – 150 PSI (10 bar)
 - 3 – 600 PSI (41,4 bar)
- NOTE: 1 use only with bypass valve or monitored ΔP indicator

3 Seal material

- B** – Buna-N
- V** – Viton-A

4 Bowl length mm (in) Element code length mm (in)

- | | |
|-------------------|------------|
| 1 – 185,4 (7.3) | 101,6 (4) |
| 2 – 276,8 (10.9)* | 203,0 (8)* |
| 4 – 398,3 (15.64) | 330,2 (13) |
- *HF3

5 Element construction

- C** – C-pak (grade 01, 03, 05, 10, 20)
- E** – E-pak 600 psid (grade 3, 5, 10)

6 Fluid cleanliness ratings

Code	Fluid cleanliness level
03	16/14/12 or better
05	18/16/14 or better
10	20/18/15 or better
20	22/19/16 or better

The table above assumes limited ingress and a single pass of pump flow through the element. For more detailed information, please consult Vickers Guide to Systemic Contamination Control **561** or contact your local Vickers Distributor.

Differential Pressure Indicator Model Code

P * * * * * (S) (M)**

1 Style option

- PV** – Visual
- PE** – Electrical
- PD** – Electrical/Visual

2 Actuation pressure option

- 015** – 15 ± 4 PSID (1 bar)
- 035** – 35 ± 5 PSID (2,4 bar)
- 070** – 70 ± 7 PSID (4,8 bar) (not an option with 330/340 filters)
- 100** – 100 ± 12 PSID (6,9 bar)

3 Thermal lockout option

- N** – No thermal lockout (not an option with IFI indicator)
- T** – Thermal lockout (standard TLO= $80 \pm 20^\circ$ F)

4 Seal option

- 1 – Buna-N
- 2 – Viton

5 Receptacle option

- B** – 5-pin Brad Harrison (41512) (not an option with visual indicator)
- H** – Hirschman (DIN 43650) (not an option with visual indicator)
- N** – No receptacle (use with visual indicator) (not an option with IFI indicator)

6 Surge control option

- None** – No surge control
- S** – Surge control (not an option with 330/340 filters)

7 Filter series option

- None** – Standard
- M** – 330/340 Series filters only

Information contained in this catalog is accurate as of the publication date and is subject to change without notice. Performance values are typical values. Customers are responsible for selecting products for their applications using normal engineering methods.

Eaton Hydraulics

15151 Highway 5
Eden Prairie, MN 55344
Telephone: 612 937-7254
Fax: 612 937-7130
www.eatonhydraulics.com

46 New Lane, Havant
Hampshire PO9 2NB
England
Telephone: (44) 170-548-6451
Fax: (44) 170-548-7110



Quality System Certified
Products in this catalog are
manufactured in an
ISO-9001-certified site.

