

Vickers®

Service Data

Directional Valves



Pilot Operated Directional Valves

(F*) - DG3V - 10 - (B) - **(L) - (X) - (*) - (*) - 10 - (EN**)

Main stage spool type	Used on valve type	Spool
0	♣	02-317225
1/11 ◇	♣	02-317226 *
2	♣	02-317237
3/31 ◇	♣	02-317227 *
4 ◇	♣	02-317231
6	♣	02-317238
7	♣	02-317228
8 ◇	♣	02-317233
9	♣	02-317250
33	♣	02-317234
52/521 ◇	♣	02-317235 *

Note

SAE straight thread plugs used on exterior of valve.

Note

Parts included in service kits are not sold separately.

*** Note**

Assemble type 1 & 3 spools with narrow center land toward "A" end of valve. "A" end is defined as being closest to CYL. port "A".

Assemble type 11 & 31 spools with narrow center land toward CYL. port "B".

Assemble type 52 spool with narrow land toward CYL. port "B".

Assemble type 521 spool with narrow land toward CYL. port "A".

◇ Spool types 1,3, 4,8,11, & 31 are not available on "A" offset valve models.

◇ Spool types 31,52, & 521 are not available on "D" pressure centered model valves.

Note

All internal seals of the mainstage are F3. Mounting face seals are standard (Buna-N). F6 seal are special (Nitrile) and are used throughout the valve assembly.

® Viton is a registered trademark of E.I. DuPont

Seal Kits

Location	Kit Number
Mainstage	02-329897
Mainstage F3	02-329898
Mainstage F6	02-329899
With 'P' Port Check	02-330350
With 'P' Port Check F3	02-330351
With 'P' Port Check F6	02-330352
Pressure Centered	02-330353
Pressure Centered F3	02-330354
Pressure Centered F6	02-330355

- ▲♣☆02-321196 "O" Ring
- ♣☆ 298171 Bolt (4 Req'd)
Torque 205-230 N.m.
(150-170 lb. ft.)
Refer to caution plate before removal.
- ♣☆ 02-317242 Cover

- ♣☆ **Arrangement for "A" spring offset & check valve option models.**

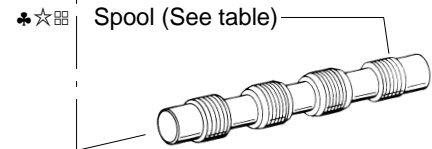
- ♣☆ 02-317247 Washer (Omit on "Blank" no spring models)
- ♣☆ 02-317246 Spring (Omit on "Blank" no spring models)
- ▲♣☆02-321196 "O" Ring
- ♣☆ 298171 Bolt (4 Req'd)
Torque 205-230 N.m.
(150-170 lb. ft.)
- ♣☆ 02-317242 Cover

- ♣☆ **Arrangement for "Blank" (no springs), "C" (spring centered), & check valve option models.**

- ♣ 689289 "O" Ring
- ♣ 298175 Bolt (4 Req'd)
Torque 205-230 N.m.
(150-170 lb. ft.)
- ♣† 407533 Plug
- ♣ 396093 "O" Ring

- ♣ **Arrangement for "D" pressure centered valve models.**

- ♣ 02-317252 Cover
- ♣ 02-321196 "O" Ring
- ♣ 02-317245 Spring
- ♣ 288760 Sleeve
- ♣ 288759 Piston



- * Part of Seal Kit 02-330350
- ♣ Part of Seal Kit 02-330353
- ▲ Part of Seal Kit 02-329897
- † Plug torques oiled (See table).
- ♣ Used on "C" (spring centered) / "Blank" (no spring) valves.
- ♣ Used on "A" (spring offset) valves.
- ☆ Used on K/Q/R/S check valves.
- ♣ Used on "D" pressure centered valve.

♣♣☆☐ 267966 Screw (4 Req'd)

♣♣☆☐ 412520 Nameplate

♣♣☆☐ 323656 Cover Plate

† Plug torques (oiled)

Plug	N.m	lb. in.
7074	8.5–9.6	75–85
30560	8.5–9.6	75–85
113000	5.0–5.9	45–52
161809	5.0–5.9	45–52
343740	15.0–16.0	133–147
363889	20.5–22.5	181–199
407533	12.1–12.4	107–110

♣♣☆☐ Cover attaching bolts (4 Req'd)

Model code option	Bolt
"Blank"	1031
"2" or "3"	10936
"R"	10937
"2", "3" and "R"	238715

Torque 100–112 lb.in. (11.3–12.7 N.m.)

▲♣♣☆☐ 262342 "O" Ring (2 Req'd)

♣♣☆☐ DGMFN-5-Y-A1W-B1W-30
(Pilot choke option with 2 or 3 in model code)

† 363889 Plug

▲ 396095 "O" Ring

† 7074 Plug

† 407533 Plug

▲ 396093 "O" Ring

♣♣☐ 893186 I.D. plate with circuit diagram

416834 Rivet (4 Req'd)

♣♣ 02-309664 Body

♣♣☆ 02-309665 Body

☐ 02-309668 Body

▲ 396093 "O" Ring

† 407533 Plug

▲ 396093 "O" Ring

† 407533 Plug

† 30560 Plug ("X" omitted from model code)

▲ 118202 "O" Ring (X port)

†♣♣☆ 113000 Plug

▲ 396093 "O" Ring

† 407533 Plug

† 407533 Plug

♣♣☆ 245802 Sleeve

† 407533 Plug

▲ 396093 "O" Ring

† 407533 Plug (2 Req'd)

▲ 396093 "O" Ring (2 Req'd)

▲ 396093 "O" Ring (3 Req'd)

† 407533 Plug (3 Req'd)

† 7074 Plug

▲ 396095 "O" Ring

† 363889 Plug

195450 Rest pin (2 Req'd)

▲ 118202 "O" Ring (Y port)

▲ 396093 "O" Ring

▲ 396094 "O" Ring (2 Req'd)

† 343740 Plug (2 Req'd)

♣♣☆ Spring (See table)

♣♣☆ 6422 Poppet

♣♣☆ 02-309667 Seat

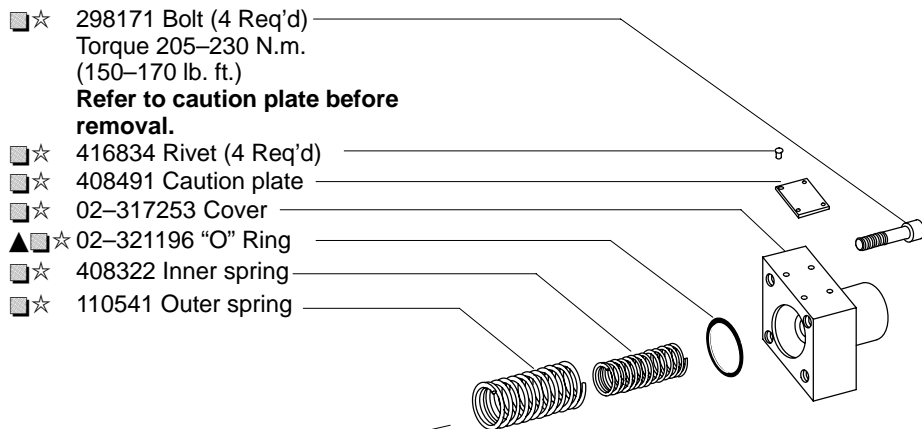
*♣♣☆☐ 200145 "O" Ring
(4 Req'd A,B,P, & T ports).

♣♣☆ 3 Req'd A,B, & T ports)

♣♣☆ 200149 "O" Ring (P port)

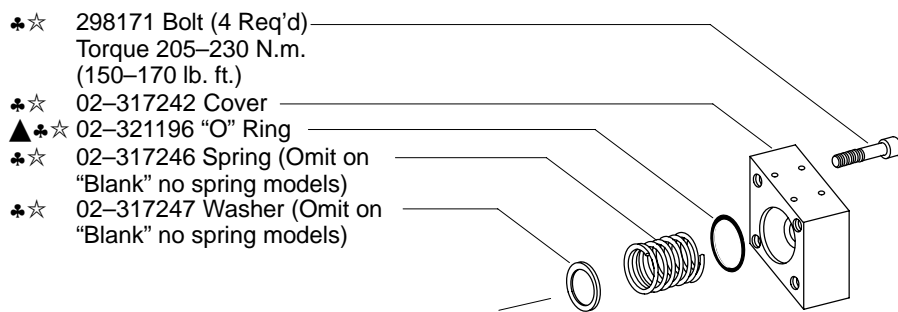
☆ Spring Options

Part No.	Description
247287	K-0.3 bar (5 psi) spring
247288	Q-2.4 bar (35 psi) spring
276428	R-3.4 bar (50 psi) spring
432353	S-5.2 bar (75 psi) spring

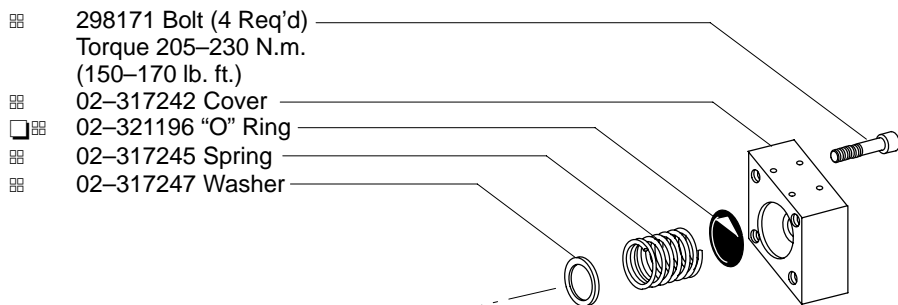


■☆ **Arrangement for “A” spring
 offset & check valve option
 models.**

Note:
 For “A” spring offset models only. Right
 hand assembly shown. For left hand
 assembly, end covers, springs, and
 spool are reversed.

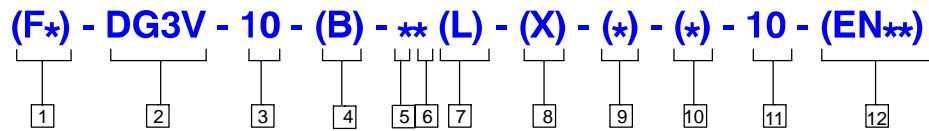


♣☆ **Arrangement for “Blank” (no
 springs), “C” (spring centered),
 & check valve option models.**



☒ **Arrangement for “D”
 pressure centered valve models.**

Model Code



1 Special Seals

(Omit if not required)

F3 - Seals for fire resistant fluids

F6 - Seals for water glycol

2 Directional Control Valve

DG3V - Subplate mounting; pilot operated, remote operator. Pressure rating 210 bar (3000 psi) for P, A & B ports.

3 Valve Size

10 - Valve size CETOP 10, NFPA D10

4 Gauge Ports

Blank - .4375-20 UNF-2B Thread

B - 1/4 BSP Thread

5 Spool Types

0 - Open to T all ports

1 - Open P&A to T, closed B

2 - Closed to T all ports

3 - Closed P&B, open A to T

4 - Tandem P to T, closed crossover

6 - Closed P only, open A&B to T

7 - Open P to A&B, closed T

8 - Tandem P to T, open crossover

9 - Open to T all ports over tapers

11 - Open P&B to T, closed A

31 - Closed P&A, open B to T

33 - Closed P, open A&B to T over tapers

52 - Closed center, regen. by sol. 'A'

521 - Closed center, regen. by sol. 'B'

6 Spool/Spring Arrangement

Blank - No spring

A - Spring offset to cylinder 'A'

C - Spring centered

D - Pressure centered 140-210 bar (2000 - 3000 psi)

7 Left Hand Build

L - 'A' Models only, omit if not required.

8 Fast Response

X - Not available with CETOP 3 pilots or pressure centered 'D' and 'DB' models.

9 Spool Control Modifications

(Omit if not required)

1 - Stroke adjustment (both ends) available on C & Blank (no spring) models

2 - Pilot choke adjustment (available on all models)

3 - Pilot stroke and stroke adjusters (both ends) (available on C & Blank (no spring) models)

7 - Stroke adjusters on cylinder 'A' end only (available on AL, C & Blank (no spring) models)

8 - Stroke adjusters on cylinder 'B' end only (available on AL, C, & Blank (no spring) models)

27 - If both are required (available on A, C, & Blank (no spring) models)

28 - If both are required (available on AL left hand build, C & Blank (no spring) models)

10 Check Valve in Pressure Port

(Omit if not required)

Not available for 'D' models

K - 0,3 bar (5 psi) check

Q - 2,4 bar (35 psi) check

R - 3,4 bar (50 psi) check

S - 5,2 bar (75 psi) check

11 Design Number

12 Special Modifications

(Omit if not required)