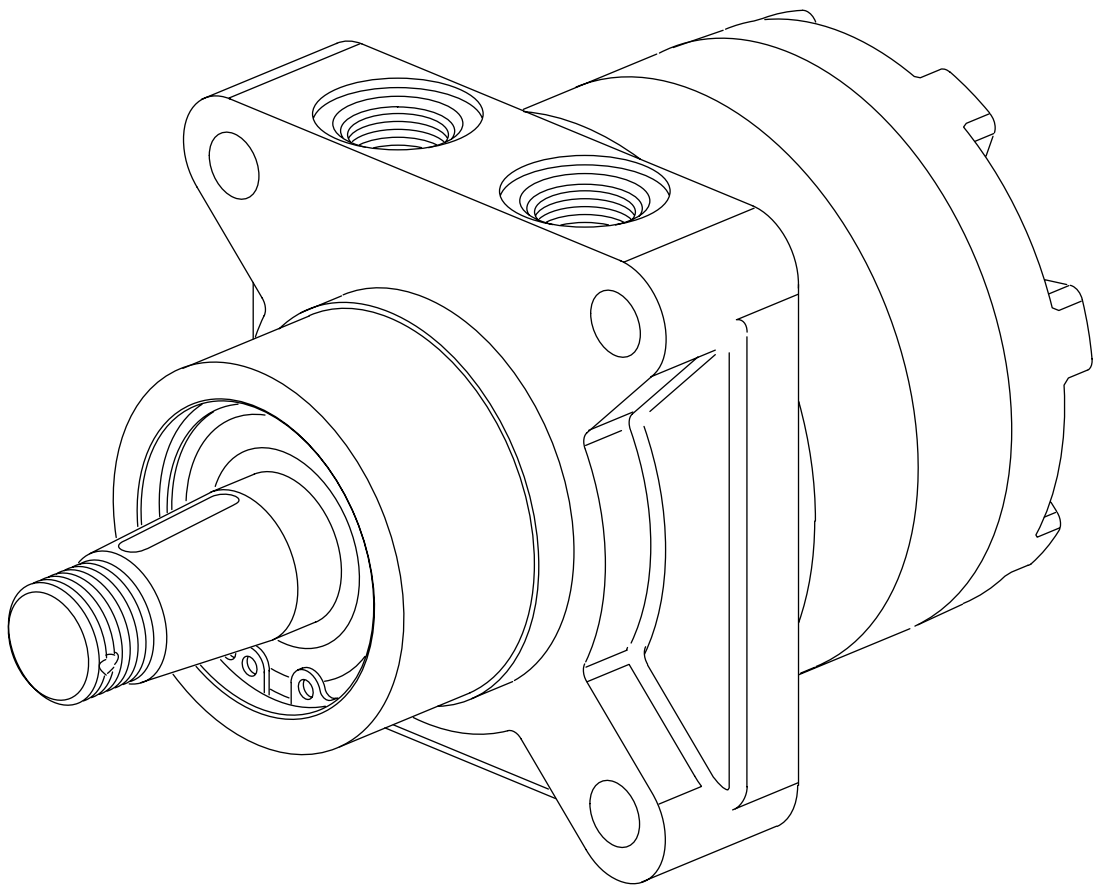


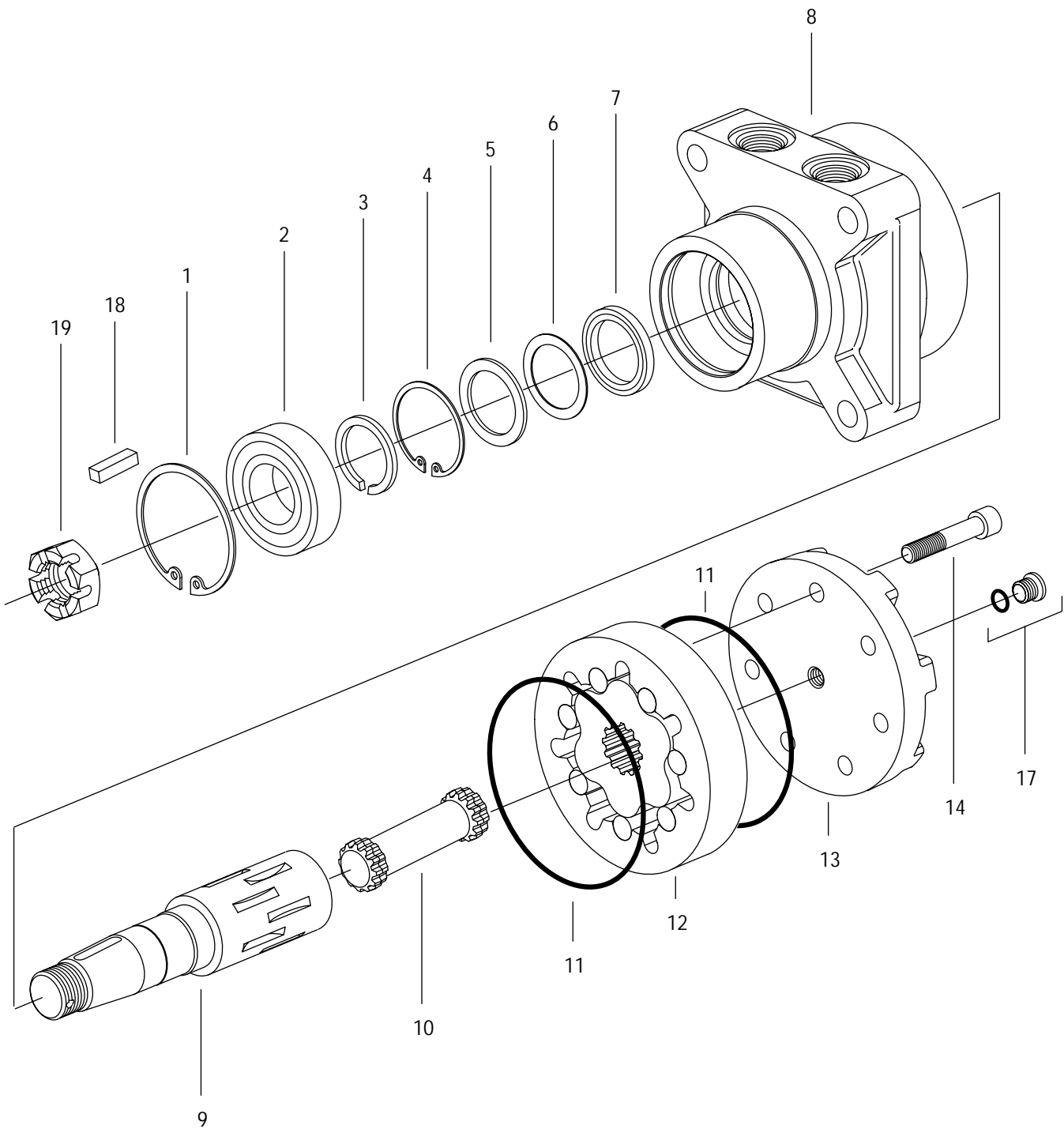


## Parts Information



W Series  
Geroler® Motors

# W Series



## W Series

Ref. No.	Part Number	Description	Quantity
X 1	14731-001	Ring, Retaining	1
X 2	14730-001	Bearing, Ball	1
X 3	14734-001	Ring, Retaining	1
X 4	14733-001	Ring, Retaining	1
X 5	201977-001	Washer	1
X 6	7382-000	Washer, Backup	1
X 7	9057-009	Seal, Pressure	1
8	201954-001	Housing — 7/8-14 UNF O-ring Port	1
	—	Housing — G 1/2 (BSP) Straight Thread	1
9	201966-053	Shaft, Output	1
	201953-053	Shaft, Output — with Internal Check Valve seats (Poppets (2) not included)	1
	201971-001	Poppet (for Shaft, Output — with Internal Check Valve seats)	2
10	*	Drive	1
X 11	9086-006	Seal	2
12	*	Geroler®	1
13	201960-001	End Cap	1
	201960-002	End Cap — 7/16-20 UNF O-ring Port	1
	—	End Cap — G 1/4 (BSP) Straight Thread	1
14	*	Cap Screw, Internal Hex Head	7
17	9072-003	Plug/O-ring S/A — 7/16-20 UNF	1
X	250003-905	O-ring	1
	—	Plug/O-ring S/A — G 1/4 (BSP)	1
	—	O-ring	1
18	14392-005	Key	1
19	14163-000	Hex Nut	1
	60569-000	Seal Kit — Contains Parts Indicated by X	

\*See Chart Below

Displacement cm <sup>3</sup> /r [in <sup>3</sup> /r]	Item Ref. No. 14		Ref. No. 12		Ref. No. 10	
	Screw, Cap Internal Hex	Length mm [inch]	Geroler®	Width mm [inch]	Drive	Length mm [inch]
80 [ 4.9]	16319-616	44,4 [1.75]	201974-001	9,1 [ .36]	201979-003	81,0 [3.19]
126 [ 7.7]	16319-622	57,1 [2.25]	201974-002	11,9 [ .47]	201979-001	83,7 [3.30]
154 [ 9.4]	16319-624	63,5 [2.50]	201974-003	14,7 [ .58]	201979-002	86,4 [3.40]
195 [11.9]	16319-624	63,5 [2.50]	201974-004	18,5 [ .73]	22252-000	90,0 [3.54]
251 [15.3]	16319-626	69,8 [2.75]	201974-005	23,9 [ .94]	22189-000	95,8 [3.77]
303 [18.5]	16319-630	76,2 [3.00]	201974-006	29,0 [1.14]	201979-005	100,8 [3.97]
374 [22.8]	16319-632	82,5 [3.25]	201974-007	35,6 [1.40]	201979-006	106,9 [4.21]

# W Series

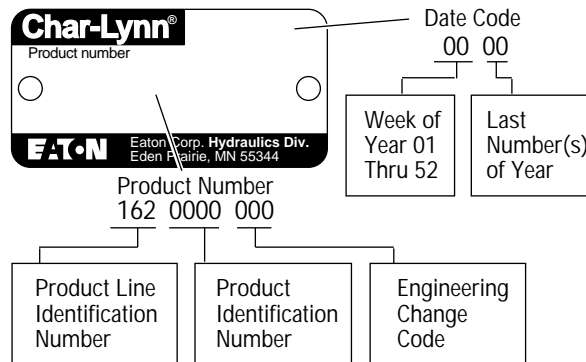
## How to Order Replacement Parts

### Each Order Must Include the Following:

1. Product Number
2. Date Code
3. Part Name
4. Part Number
5. Quantity of Parts

For More Detailed Information Contact Eaton Corp. Hydraulics Division 15151 Highway 5 Eden Prairie, MN 55344.

- Specifications and performance data, Catalog No. 11-111
- When servicing W Series refer to Repair Information No. 7-157. This repair manual lists tools required, and step by step disassembly and reassembly procedures.



Eaton Corporation  
Hydraulics Division  
15151 Hwy. 5  
Eden Prairie, MN 55344  
Telephone 612/937-9800  
Fax 612/937-7130

Eaton Ltd.  
Hydraulics Division  
Glenrothes, Fife  
Scotland, KY7 4NW  
Telephone 01-592-771-771  
Fax 01-592-773-184

Eaton GmbH  
Hydraulics Products  
Am Schimmersfeld 7  
40880 Ratingen, Germany  
Telephone 02102-406-830  
Fax 02102-406-800



Quality System Certified  
Products in this catalog are manufactured  
in an ISO-9001-certified site.

<http://www.eaton.com>

Copyright Eaton Corporation 1996  
All Rights Reserved  
Printed in USA

Form No. 6-163

